

# AeGIS 4000

## Installation and Programming Manual



November 20, 2001



Pach & Company  
[www.pach-co.com](http://www.pach-co.com)

941 Calle Negocio  
San Clemente, CA 92673

Phone: 1-888-678-7224  
Fax: 949-498-6879



# TABLE OF CONTENTS

## LIMITATION OF LIABILITY

<b>CHAPTER 1. GETTING STARTED</b> .....	<b>1</b>
1.1 Introduction .....	1
1.2 System Descriptions .....	1
1.3 System Applications .....	1
1.4 System Specifications .....	1
1.5 System Accessories .....	2
1.6 Unpacking the System .....	2
1.7 Warranty .....	3
<b>CHAPTER 2. INSTALLATION</b> .....	<b>4</b>
<b>CHAPTER 3. PROGRAMMING</b> .....	<b>8</b>
Reset Master Code .....	8
Change Unit Master Code .....	8
Program Individual Access Code .....	9
Delete or Overwrite Individual Access Code .....	10
Relay 1 (Door 1) Open Interval .....	10
Relay 2 (Door 2) Open Interval .....	11
Delete Individual Access Code .....	11
Delete All Access Codes .....	11
Program Direct Call Forwarding .....	12
Delete Direct Call Forwarding .....	12
Program Automatic Call Forwarding .....	13
Delete or Rewrite Automatic or Manual Call Forwarding .....	13
Delete All Call Forwarding .....	14
Enable or Disable Automatic Call Forwarding .....	14
Select Automatic Call Forwarding Function Number .....	15
Set Automatic Call Forwarding Time or Hang-up Time .....	15
Manual Unlock or Lock Relay 1 (Door 1) .....	16
Manual Unlock or Lock Relay 2 (Door 2) .....	16
Talk Time .....	17
Lock Out Count .....	17
Auxiliary Mode .....	18
Alarm Mode .....	18
System Answer Mode .....	19
Do not Disturb Mode .....	19
Select Initiating Premise Call Key .....	20
Set Memory to Factory Default .....	20
<b>CHAPTER 4. OPERATION</b> .....	<b>21</b>
To Initiate the Call and Disconnect the Call from the AeGIS 4000 .....	21
Answer the AeGIS 4000 Call and Extend the Talk Time .....	21
Provide Access to Visitor .....	21
Using A Call Waiting Feature .....	21
Using Personal Access Code .....	21
Enable and Disable Call Forwarding .....	22
Activate Automatic Call Forwarding .....	22
Unlock Cycle, Unlock Hold, and Lock Relay 1 (Door 1) and Relay 2 (Door 2) .....	22
Hang-Up AeGIS Calls from Premise or Remote Location .....	23
Call and Talk to the AeGIS from Premise or Remote Location .....	23
Alarm Notification .....	24
Auxiliary Input Pin (AUI) .....	24
Do not Disturb .....	24
How to Use Speed Dialing .....	24

<b>CHAPTER 5. TROUBLE SHOOTING GUIDES</b> .....	<b>25</b>
Audio Problems .....	25
Communication Problems .....	25
Gate Problems .....	26
Keypad Problems .....	26
<b>CHAPTER 6. PARAMETERS WORKSHEET</b> .....	<b>27</b>
System Parameters Worksheet .....	27
Personal Access Code .....	27
Call Forwarding Phone Numbers .....	27
<b>QUICK REFERENCE GUIDE</b> .....	<b>29</b>

## **LIMITATIONS OF LIABILITY**

This manual is subject to change without notice.

Pach and Company is not liable for any errors that might occur from use of this document, nor is any commitment to update the information herein implied.

Pach and Company does not assume any liability for any damages, which may arise in installation or use of the AeGIS 4000 Series. Pach and Company does not assume liability for any incompatibility between the AeGIS 4000 Series and users devices.

Pach & Company reserves the right to make changes without prior notice to any products in order to improve reliability, function or design.

# CHAPTER 1. GETTING STARTED

## 1.1 Introduction

Pach & Company thanks and congratulates you on the purchase of your AeGIS 4000 Series Telephone Access Control System.

This manual is designed to guide you through the proper programming and use of the AeGIS 4000 Series. It is important for you to read and follow the manual completely.

The Aegis 4000 Series comes with two years warranty, but we are so confident in our product and our dealer's ability to install them properly, we will include lightning strikes in our two years warranty if surge protection is installed with the system.

## 1.2 System Descriptions

The AeGIS 4000 Series utilizes microprocessor technology to provide security as well as convenience to you. It is designed for residential applications or any location where access control is required. It utilizes "**no phone bill**" technology, where a dedicated telephone line is not necessary. Authorization for access control is through the telephone line, or with the tenant's own access code, which is entered on the system keypad. The premise **MUST** have a telephone device (telephone set) to allow remote visitor access.

Also, as a standard feature, a tenant is allowed to forward calls automatically or manually, "call" the Aegis unit and converse with the visitor and "remote programming" using a touch-tone phone. It has two on board relay to control two doors independently.

The system parameters and tenants database can be entered locally via the unit's keypad or remotely via a touch-tone phone.

EEPROM technology is used for the AeGIS 4000 series. Tenants database will not be lost during a power failure.

## 1.3 System Applications

The AeGIS 4000 Series can be installed for various types of applications to suit your needs. The system can operate two doors or gates or combination of door and gate independently. Multi purposes **Auxiliary Input** can be used to connect a seven days timer, free exit switch, remote control receiver, etc. The system is designed to be installed outdoor or indoor. If you need more information about your applications, you may call us at 1 (888) 678-7224 from 7:30 AM – 4:30 PM Pacific Standard Time.

## 1.4 System Specifications

### Standard features:

- ◆ No Phone Bill Technology.
- ◆ Program and store personal access codes.
- ◆ Unlock door or gate locally or remotely by tenant.
- ◆ Unlock door or gate by the tenant using private access code.
- ◆ Built-in Auxiliary input
- ◆ Remote Phone Programming.
- ◆ Works behind a PBX to dial an extension (analog only).
- ◆ Programmable features:
  - Lock-out Count
  - Manual Unlock and Lock
  - 4 Digit Unit master Code

- Open Interval
- Talk Time
- Personal Access Code
- Call Forwarding automatic or manual

### **Technical Specifications:**

**Power Input:** 12VAC 20VA UL Listed Transformer (Pach supplied) or 12.0 VDC 20VA

**Current Consumption:** 420mA idle, 620mA operation

**Emergency Battery:** 12.0 VDC, 4Ahr rechargeable (not supplied)

**Night Light:** 14V 0.080A 15,000 Average life hours

**Telephone Line:** Standard voice grade RJ11 jack

**Operating Environment:** Temp. 32°F to +140°F Relative Humidity 0% to 95% non-condensing

**Relay Output:** Two Relays to control two doors independently. Form C Dry Contact 120 VAC 10A/24VDC 10A/250VAC 7A

**Memory Type:** EEPROM

**Tone Detection:** Crystal controlled, capable of detecting short bursts 80 ms

**Mounting:** Surface Mount

**Construction:** 16 Gauge Stainless Steel

**Shipping:** 8 lbs. or 3.6 kg. approximate

**Dimensions:** 9-1/8" (23.2Cm) x 6-15/16" (17.2Cm) x 3-7/8" (9.8Cm) (HWD)

## **1.5 System Accessories**

<b>Part Number</b>	<b>Description</b>
<b>ASP1</b>	AC and Telephone Surge Protector.
<b>AHP-5</b>	Heater pad with Thermostat.
<b>APM1</b>	AeGIS Pedestal Mounting Post for car and pedestrian.
<b>APM2</b>	AeGIS Pedestal Mounting Post for car, pedestrian and semi-truck.
<b>APM3</b>	AeGIS Pedestal Mounting Post for semi-truck.
<b>AVP4</b>	AeGIS Video Package.
<b>AVP4C</b>	AeGIS Video Package (Color).
<b>AKYS</b>	AeGIS key Sets (2 keys per set).
<b>4MAN</b>	AeGIS 4000 Series Installation and program manual.
<b>4XMFR</b>	4000 Series Power Transformer.

## **1.6 Unpacking the System**

Check the serial number on the printed circuit board, cabinet and warranty card, they must match. If they do not match, please contact Pach and Company toll free number at **(888) 678-7224**. All the items listed below come with the AeGIS 4000 Series.

- AeGIS 4000 Series System.
- 4XMFR (4000 Power Transformer, 12VAC 20VA).
- Two of 5-pin terminal connector (inside the unit's cabinet).
- 7-pin terminal connector (inside the unit's cabinet).
- Key set (2 keys per set)
- Interceptor Module.

- Owners Manual.
- Warranty Card with unit's serial number.

If you have missing items, please contact Pach and Company at **(888) 678-7224**.

## 1.7 Warranty

The AeGIS 4000 Series come with **two (2) years manufacturer warranty parts and labor** (does not include the installation labor). We will include lightning strikes in our two years warranty if **PACH AND COMPANY ASP1 SURGE PROTECTOR** is installed with the systems. The above warranties are subject to the following conditions.

- The serial number on the printed circuit board must match the serial number on the cabinet.
- The system's failure is not caused by vandalism, improper installation, misuse or abuse.
- Physically damaged product is not acceptable for repair or exchange within or after warranty.
- The warranty will be void and null if the product has been repaired or modified by unauthorized party without authorization from the Pach and Company Technical Department.
- If for some reason your system cannot be repaired, Pach and Company will replace it with an identical product of equal value.
- You must obtain a Return Merchandise Authorization (RMA) number from Pach and Company Technical Department before you can send back the product to factory for repair.
- You are responsible for all transportation and insurance charges for the products shipped to the Pach and Company repair center.
- Pach and Company will not cover the labor to install the system.



# CHAPTER 2. INSTALLATION

A proper installation of the AeGIS system is very essential. You MUST follow the installation-wiring steps as shown in figure 2.1.

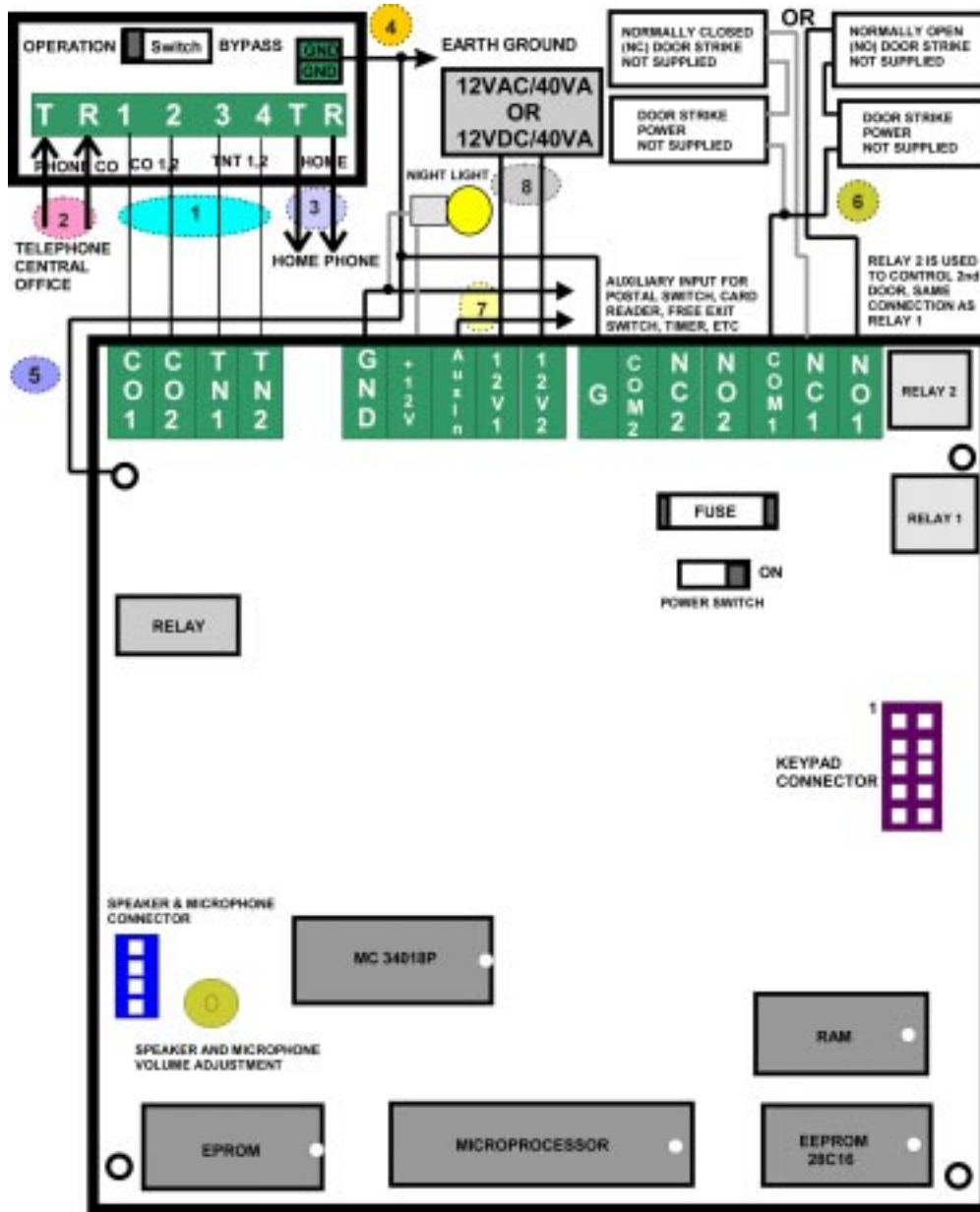
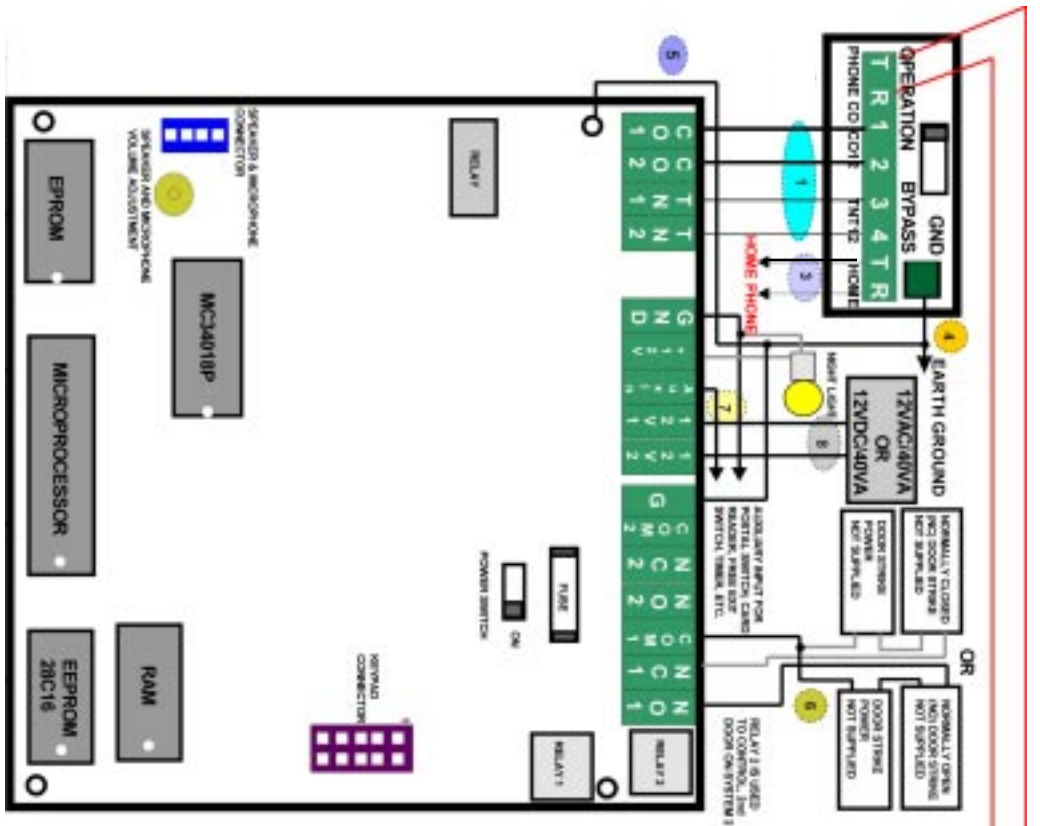
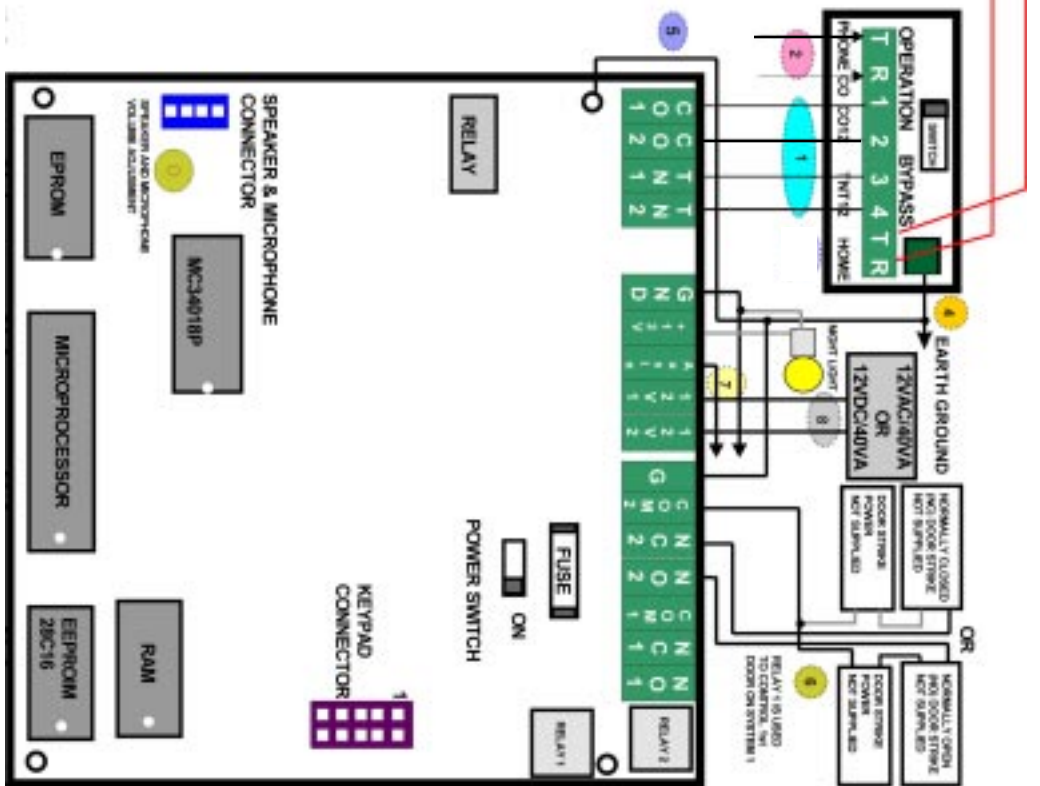


Figure 2.1 AeGIS 4000, Single System with One or Two Entrances Wiring Diagram



System #1, Entrance #1



System #2, Entrance #2

Figure 2.2 AeGIS 4000 Two Systems, Two Entrances Application Wiring Diagram

The wiring diagram in figure 2.1 is numbered. Follow the step below according to the wiring number shown in figure 2.1.

### Step 1 CO1, CO2, TN1, and TN2 to 1, 2, 3 and 4.

The Interceptor Module can be installed inside the AeGIS 4000 cabinet or away from it. The interceptor module is necessary to put the system in Bypass incase of problem or needs repair.

- The maximum distance between the AeGIS 4000 and the Interceptor Module and Home Phone cannot be exceeded 2200 feet using 18 -gauge 4-conductors shielded stranded wires.  
**Warning:** Longer distance is not recommended.
- Ground one end of the shield into the earth ground or telephone ground block. One common ground is recommended.
- If the Interceptor Module is inside the AeGIS 4000 cabinet, 22-gauge 4-conductors stranded wires can be used.

### Step 2 PHONE CO (Central Office).

Connect to Telephone Central Office or Analog Private Branch Exchanged (PBX). **If the AeGIS 4000 is only used as an Intercom System, skip this step and proceed to Step 3.**

- 18-gauge 2-conductors shielded stranded wires are recommended, to avoid static and radio station transmission.
- Ground one end of the shield into the earth ground or telephone ground block. One common ground is recommended.

### Step 3 HOME PHONE

Connect to a Home Phone Set.

- A maximum distance between the AeGIS 4000, Interceptor Module and the Home Phone cannot be exceeded 2200 feet using 18 -gauge 4-conductors shielded stranded wires.  
**Warning:** Longer distance with bigger gauge wires is not recommended. Do not Phone Central Office to Home Phone Terminal.

**NOTE:** If you install the AeGIS 4000 on dedicated phone for call forwarding only, do not do this step, return to step2.

### Step 4 INTERCEPTOR MODULE GND

Connect to Telephone Ground Block or Earth Ground using 16-gauge stranded wire. One common ground is recommended.

### Step 5 G.

Connect to Telephone Ground Block or Earth Ground using 16-gauge stranded wire. One common ground is recommended.

### Step 6 DOOR 1 STRIKE (Relay 1).

Form C Dry Contact (120 VAC 10A/ 24 VDC 10A/ 250 VAC 7A) Normally Open (N.O) and Normally Closed (N.C). **Connect to Normally Open (N.O) and COM** if normally open door strike is used. Door is closed if the strike is not energized and open if energized.

**Connect to Normally Closed (N.C) and COM** if normally closed door strike is used. Door is closed if the strike is energized and open if not energized

- 18-gauge 2-conductors stranded is recommended.

### DOOR 2 STRIKE (Relay 2).

Form C Dry Contact (120 VAC 10A/ 24 VDC 10A/ 250 VAC 7A) Normally Open (N.O) and Normally Closed (N.C). **Connect to Normally Open (N.O) and COM** if normally open door strike is used. Door is closed if the strike is not energized and open if energized.

**Connect to Normally Closed (N.C) and COM** if normally closed door strike is used. Door is closed if the strike is energized and open if not energized

- 18-gauge 2-conductors stranded is recommended.

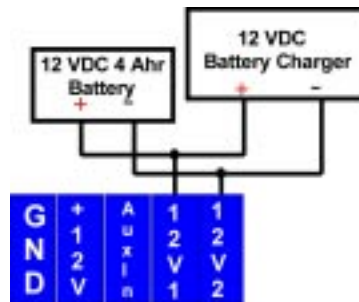
**Step 7 AUXIN.**

Connect Push Button Switch, Panic Bar, Card Reader, Buzzer, and Postal Lock using minimum 22-gauge wires.

**Step 8 POWER.**

ONLY use a Class 2 transformer rated 12 VAC 20VA (supplied) or 12 VDC 20 VA to power the AeGIS 4000. Optional 12 VDC 4Ahr battery back up with built-in charger can be installed as shown in figure 2.2. The output voltage of the battery and charger must be between 13.5 VDC - 15 VDC, **lower than 13.5 VDC will cause the on board relay not working properly and higher than 15 VDC will damage the system.**

**Warning:** Do not use 12 VAC 20VA (supplied), if battery back up is used, to do so may damage the system or cause injury.



**Figure 2.2 Battery Backup Connection with Built-in Charger**

# CHAPTER 3. PROGRAMMING

The AeGIS 4000 can be programmed **Local** (using built-in keypad), **Premise Phone** or **Remote Phone**. Premise phone programming can only be used if the existing Central Office Line is connected to the system as shown in figure 2.1.

Keys	Local Programming	Premise Phone	Remote Phone
<b>*</b>	Press this key once to exit from the programming mode, you may need to press the key twice to exit if you already in the select function mode	Press this key <ul style="list-style-type: none"> <li>• Twice to initiate the call to the AeGIS 4000, see function code 98 (must be selected to use *).</li> <li>• Twice to disconnect the call with the AeGIS 4000.</li> </ul>	Press this key twice to disconnect the call with the AeGIS 4000.
<b>#</b>	Press this key <ul style="list-style-type: none"> <li>• once to accept program.</li> </ul>	Press this key <ul style="list-style-type: none"> <li>• Twice to initiate the call to the AeGIS 4000, see function code 98 (must be selected to use #).</li> <li>• Once to Extend the talk time for another cycle.</li> <li>• Once to accept program.</li> </ul>	Press this key once to accept program.
<b>* and #</b> <b>RESET MASTER CODE</b>	<p>These keys is used to <b>Reset the Master Code to factory default.</b></p> <p><b>Step 1</b> Open the panel and turn the power switch to OFF, see figure 2.1 to locate the power switch.</p> <p><b>Step 2</b> Press and hold * and # key simultaneously and turn the system's power "On" (switch to the left). You will hear "<b>Two Short Beeps</b>" then "<b>Three Short Beeps</b>" then release the * and #. Your master code is now 0000.</p>		

Function	Local Programming	Premise Phone	Remote Phone
<b>00</b> <b>CHANGE UNIT MASTER CODE</b>	<p>The default system Master Code (0000) must be changed for security purposes. The Master Code is always 4-digit long.</p> <p><b>Step 1 Entering The Programming Mode: Press 0 and # simultaneously then release.</b> If you are in the programming mode, proceed to step 2.</p> <p><b>Step 2</b> Enter the 4-digit Master Code (factory default is 0000) and you will hear "<b>One Short Beep</b>". If you entered an invalid master code you will hear "<b>One Long Beep</b>", repeat step 1. Should your master code become lost or forgotten see Reset Master Code.</p>	Master Code cannot be replaced using the premise phone.	Master Code cannot be replaced using the remote phone.

Function	Local Programming	Premise Phone	Remote Phone
	<p><b>Step 3</b> Enter 00 then #, you will hear <b>"No Beep"</b>.</p> <p><b>Step 4</b> Enter new 4-digit Master Code then press # then you will hear <b>"One Short Beep"</b> and proceed to step 5 or if you decided not to change the existing Master Code press * to exit and you will hear <b>"Three Short Beeps"</b>.</p> <p><b>Step 5</b> Continue to program another parameter or press * to exit; you will hear <b>"Three Short Beeps"</b>.</p>		
<p><b>Program Individual Access Code</b></p> <p><b>01-20</b> INDIVIDUAL ACCESS CODE TO ACCESS RELAY 1 (DOOR 1)</p> <p><b>21-40</b> INDIVIDUAL ACCESS CODE TO ACCESS RELAY 2 (DOOR 2)</p> <p><b>41-50</b> INDIVIDUAL ACCESS CODE TO ACCESS BOTH RELAY 1 AND 2 (DOOR 1 AND DOOR 2)</p>	<p><b>Step 1 Entering The Programming Mode: Press 0 and # simultaneously then release.</b> If you are in the programming mode, proceed to step 2.</p> <p><b>Step 2</b> Enter the 4-digit Master Code (factory default is 0000) and you will hear <b>"One Short Beep"</b>. If you entered an invalid master code you will hear <b>"One Long Beep"</b>, repeat step 1. Should your master code become lost or forgotten see section Reset Master Code.</p> <p><b>Step 3</b> Enter the Index Number (01 – 20, 21-40 or 41-50) then #, you will hear <b>"No Beep"</b>. If the associated Index Number has an access code programmed, you will hear <b>"Two Long Beeps"</b>. Press *, you will hear <b>"One Short Beep"</b> and select another Index Number.</p> <p><b>Step 4</b> Enter the 4-digit access code then #, you will hear <b>"One Beep"</b>.</p> <p><i>Do not program the same code as in index 01-20, 21-40 and 41-50, doing so the access code programmed won't work.</i></p> <p><b>Step 5</b> Return to step 3 to program another access code or enter another Function Code to program another parameter, otherwise press * to exit and you will hear <b>"Three Short Beeps"</b></p>	<p><b>Step 1</b> Pick up the phone and wait for dial tone.</p> <p><b>Step 2</b> Press # # and you will hear <b>"One Short Beep"</b>.</p> <p><b>Step 3</b> Press # and you will hear <b>"One Short Beep"</b>.</p> <p><b>Step 4</b> Enter the 01-20, 20-21 or 41-50) then press #, you will hear <b>"No Beep"</b>: the index numbers is empty and proceed to Step 5. <b>"Two Long Beeps"</b>: the index number is not empty and you must do one of the following:  <ul style="list-style-type: none"> <li>• Press 1 then # you will hear <b>"No Beep"</b> to overwrite existing access code and proceed to Step 4.</li> <li>• Press * * you will <b>"One Short Beep"</b> and repeat this step.</li> </ul> </p> <p><b>Step 5</b> Enter the 4-digit access code number then press #, you will hear <b>"One Short Beep"</b>.</p> <p><i>Do not program the same code as in index 01-20, 21-40 and 41-50, doing so the access code programmed won't work.</i></p> <p><b>Step 6</b> Return to step 4 to program another access code or enter another function code to program different parameter or exit the program by pressing * * and you will hear <b>"Three Short Beeps"</b>.</p>	<p><b>Step 1</b> Call to the AeGIS 4000 system (you must know the system's phone number), you will hear: <b>"One Short Beep"</b>, the gate is locked. <b>"Two Short Beeps"</b>, the gate is unlocked.</p> <p><b>Step 2</b> Press # then enter a valid master code and you will hear:  <ul style="list-style-type: none"> <li>• <b>"One Short Beep"</b>, the master code is accepted then press # and you will hear <b>"One Short Beep"</b>.</li> <li>• <b>"One Long Beep"</b>, the master code is rejected and the connection will be disconnected.</li> </ul> </p> <p><b>Step 3</b> Press # to enter into the programming mode and you will hear <b>"One Short Beep"</b> or ** to hang-up the call.</p> <p><b>Step 4</b> Enter the 01-20, 21-40, or 41-50 then press #, you will hear <b>"No Beep"</b>: the index numbers is empty and proceed to Step 5. <b>"Two Long Beeps"</b>: the index number is not empty and you must do one of the following:  <ul style="list-style-type: none"> <li>• Press 1 then # you will hear <b>"No Beep"</b> to overwrite existing access code and proceed to Step 4.</li> <li>• Press * * you will <b>"One Short Beep"</b> and repeat this step.</li> </ul> </p> <p><b>Step 5</b> Enter the 4-digit access code number then press #, you will hear <b>"One Short Beep"</b>.</p> <p><i>Do not program the same code as in index 01-20, 21-40 and 41-50, doing so the access code programmed won't work.</i></p> <p><b>Step 6</b> Return to step 4 to program another access code or enter another function code to program different parameter or exit the program by pressing * * and you will hear <b>"Three Short Beeps"</b>.</p>

Function	Local Programming	Premise Phone	Remote Phone
Delete or overwrite Individual Access Code	<p><b>Step 1 Entering The Programming Mode: Press 0 and # simultaneously then release.</b> If you are in the programming mode, proceed to step 2.</p> <p><b>Step 2</b> Enter the 4-digit Master Code (factory default is 0000) and you will hear <b>“One Short Beep”</b>. If you entered an invalid master code you will hear <b>“One Long Beep”</b>, repeat step 1. Should your master code become lost or forgotten see Reset Master Code.</p> <p><b>Step 3</b> Enter the Index Number (01 – 50) where you stored the access code to be deleted.</p> <ul style="list-style-type: none"> <li>• <b>“Two Long Beeps”</b> if the Index Number has an associated access code, proceed to step 4.</li> <li>• <b>“No Beep”</b> if the Index Number has no associated access code and press “*” and repeat this step.</li> </ul> <p><b>Step 4</b> Enter</p> <ul style="list-style-type: none"> <li>• <b>0</b> then # to delete the access code, you will hear <b>“One Short Beep” or</b></li> <li>• <b>1</b> then #, you will hear <b>“No Beep”</b> and enter the new access code and you will hear <b>“One Short Beep”</b>.</li> </ul> <p><b>Step 5</b> Return to step 3 to delete another access code or enter another Function Code to program another parameter, otherwise press * to exit and you will hear <b>“Three Short Beeps”</b>.</p>	Must delete the individual access code from the local keypad.	Must delete the individual access code from the local keypad.
<b>51</b> RELAY 1 (DOOR 1) OPEN INTERVAL (01-90 seconds)	<p><b>Step 1 Entering The Programming Mode: Press 0 and # simultaneously then release.</b> If you are in the programming mode, proceed to step 2.</p> <p><b>Step 2</b> Enter the 4-digit Master Code (factory default is 0000) and you will hear <b>“One Short Beep”</b>. If you entered an invalid master code you will hear <b>“One Long Beep”</b>, repeat step 1. Should your master code become lost or forgotten see Reset Master Code.</p> <p><b>Step 3</b> Enter 51 then #, you will hear <b>“One Short Beep”</b>.</p> <p><b>Step 4</b> Enter door 1 open interval value (01 – 90 seconds) then press #, you will hear <b>“One Short Beep”</b>.</p> <p><b>Step 5</b> Enter another Function Code to program another parameter hear <b>“Three Short Beeps”</b>.</p>	<p>Pick up the phone and wait for a dial tone.</p> <p><b>Step 2</b> Press # # and you will hear <b>“One Short Beep”</b>.</p> <p><b>Step 3</b> Press # and you will hear <b>“One Short Beep”</b>.</p> <p><b>Step 4</b> Enter the Function Code 51 then press #, you will hear <b>“One Short Beep”</b>.</p> <p><b>Step 5</b> Enter door open interval (01 – 90 seconds) then press #, you will hear <b>“One Short Beep”</b>.</p> <p><b>Step 6</b> Enter another function code to program a different parameter or exit the program by pressing * * and you will hear <b>“Three Short Beeps”</b>.</p>	<p><b>Step 1</b> Call to the AeGIS 4000 system (you must know the system's phone number), you will hear: <b>“One Short Beep”</b>, the gate is locked. <b>“Two Short Beeps”</b>, the gate is unlocked.</p> <p><b>Step 2</b> Press # then enter a valid master code and you will hear:</p> <ul style="list-style-type: none"> <li>• <b>“One Short Beep”</b>, the master code is accepted then press # and you will hear <b>“One Short Beep”</b>.</li> <li>• <b>“One Long Beep”</b>, the master code is rejected and the connection will be disconnected.</li> </ul> <p><b>Step 3</b> Enter the Function Code 51 then press #, you will hear <b>“One Short Beep”</b>.</p> <p><b>Step 4</b> Enter door open interval (01 – 90 seconds) then press #, you will hear <b>“One Short Beep”</b>.</p> <p><b>Step 5</b> Enter another function code to program a different parameter or exit the program by pressing * * and you will hear <b>“Three Short Beeps”</b>.</p>

Function	Local Programming	Premise Phone	Remote Phone
<p><b>52</b></p> <p>RELAY 2 (DOOR 2) OPEN INTERVAL (01-90 seconds)</p>	<p><b>Step 1 Entering The Programming Mode: Press 0 and # simultaneously then release.</b> If you are in the programming mode, proceed to step 2.</p> <p><b>Step 2</b> Enter the 4-digit Master Code (factory default is 0000) and you will hear <b>“One Short Beep”</b>. If you entered an invalid master code you will hear <b>“One Long Beep”</b>, repeat step 1. Should your master code become lost or forgotten see Reset Master Code.</p> <p><b>Step 3</b> Enter 52 then #, you will hear <b>“One Short Beep”</b>.</p> <p><b>Step 4</b> Enter door 1 open interval value (01 – 90 seconds) then press #, you will hear <b>“One Short Beep”</b>.</p> <p><b>Step 5</b> Enter another Function Code to program another parameter hear <b>“Three Short Beeps”</b>.</p>	<p>Pick up the phone and wait for a dial tone.</p> <p><b>Step 2</b> Press # # and you will hear <b>“One Short Beep”</b>.</p> <p><b>Step 3</b> Press # and you will hear <b>“One Short Beep”</b>.</p> <p><b>Step 4</b> Enter the Function Code 52 then press #, you will hear <b>“One Short Beep”</b>.</p> <p><b>Step 5</b> Enter door open interval (01 – 90 seconds) then press #, you will hear <b>“One Short Beep”</b>.</p> <p><b>Step 6</b> Enter another function code to program a different parameter or exit the program by pressing * * and you will hear <b>“Three Short Beeps”</b>.</p>	<p><b>Step 1</b> Call to the AeGIS 4000 system (you must know the system's phone number), you will hear: <b>“One Short Beep”</b>, the gate is locked. <b>“Two Short Beeps”</b>, the gate is unlocked.</p> <p><b>Step 2</b> Press # then enter a valid master code and you will hear:</p> <ul style="list-style-type: none"> <li>• <b>“One Short Beep”</b>, the master code is accepted then press # and you will hear <b>“One Short Beep”</b>.</li> <li>• <b>“One Long Beep”</b>, the master code is rejected and the connection will be disconnected.</li> </ul> <p><b>Step 3</b> Enter the Function Code 52 then press #, you will hear <b>“One Short Beep”</b>.</p> <p><b>Step 4</b> Enter door open interval (01 – 90 seconds) then press #, you will hear <b>“One Short Beep”</b>.</p> <p><b>Step 5</b> Enter another function code to program a different parameter or exit the program by pressing * * and you will hear <b>“Three Short Beeps”</b>.</p>
<p><b>60-62</b></p> <p>DELETE INDIVIDUAL ACCESS CODE</p> <p>60:INDEX NUMBER 01-20 61: INDEX NUMBER 21-40 62: INDEX NUMBER 41-50</p>	<p><b>Step 1 Entering The Programming Mode: Press 0 and # simultaneously then release.</b> If you are in the programming mode, proceed to step 2.</p> <p><b>Step 2</b> Enter the 4-digit Master Code (factory default is 0000) and you will hear <b>“One Short Beep”</b>. If you entered an invalid master code you will hear <b>“One Long Beep”</b>, repeat step 1. Should your master code become lost or forgotten see Reset Master Code.</p> <p><b>Step 3</b> Enter 60, 61, 62, then #, you will hear <b>“One Short Beep”</b>.</p> <p><b>Step 4</b> Enter another Function Code to program another parameter; otherwise press * to exit and you will hear <b>“Three Short Beeps”</b>.</p>	<p>Pick up the phone and wait for dial tone.</p> <p><b>Step 2</b> Press # # and you will hear <b>“One Short Beep”</b>.</p> <p><b>Step 3</b> Press # and you will hear <b>“One Short Beep”</b>.</p> <p><b>Step 4</b> Enter 60, 61 or 62, then press #, you will hear <b>“One Short Beep”</b>.</p> <p><b>Step 5</b> Return to step 4 to delete another group of access codes or enter another function code to program different parameter or exit the program by pressing * * and you will hear <b>“Three Short Beeps”</b>.</p>	<p><b>Step 1</b> Call to the AeGIS 4000 system (you must know the system's phone number), you will hear: <b>“One Short Beep”</b>, the gate is locked. <b>“Two Short Beeps”</b>, the gate is unlocked.</p> <p><b>Step 2</b> Press # then enter a valid master code and you will hear:</p> <ul style="list-style-type: none"> <li>• <b>“One Short Beep”</b>, the master code is accepted then press # and you will hear <b>“One Short Beep”</b>.</li> <li>• <b>“One Long Beep”</b>, the master code is rejected and the connection will be disconnected.</li> </ul> <p><b>Step 3</b> Press # to enter into the programming mode and you will hear <b>“One Short Beep”</b> or ** to hang-up the call.</p> <p><b>Step 4</b> Enter 60 or 61, or 62 then press #, you will hear <b>“One Short Beep”</b>.</p> <p><b>Step 5</b> Return to step 4 to delete another group of access codes or enter another function code to program different parameter or exit the program by pressing * * and you will hear <b>“Three Short Beeps”</b>.</p>
<p><b>65</b></p> <p>DELETE ALL ACCESS CODES INDEX 01-50</p>	<p><b>Step 1 Entering The Programming Mode: Press 0 and # simultaneously then release.</b> If you are in the programming mode, proceed to step 2.</p>	<p>Pick up the phone and wait for dial tone.</p> <p><b>Step 2</b> Press # # and you will hear <b>“One Short Beep”</b>.</p>	<p><b>Step 1</b> Call to the AeGIS 4000 system (you must know the system's phone number), you will hear: <b>“One Short Beep”</b>, the gate is locked. <b>“Two Short Beeps”</b>, the gate is unlocked.</p>



Function	Local Programming	Premise Phone	Remote Phone
	<p><b>Step 1 Entering The Programming Mode: Press 0 and # simultaneously then release.</b> If you are in the programming mode, proceed to step 2.</p> <p><b>Step 2</b> Enter the 4-digit Master Code (factory default is 0000) and you will hear <b>“One Short Beep”</b>. If you entered an invalid master code you will hear <b>“One Long Beep”</b>, repeat step 1. Should your master code become lost or forgotten see Reset Master Code.</p> <p><b>Step 3</b> Enter 65 then #, you will hear <b>“One Short Beep”</b>.</p> <p><b>Step 4</b> Enter another Function Code to program another parameter; otherwise press * to exit and you will hear <b>“Three Short Beeps”</b>.</p>	<p><b>Step 3</b> Press # and you will hear <b>“One Short Beep”</b>.</p> <p><b>Step 4</b> Enter 65 then press #, you will hear <b>“One Short Beep”</b>.</p> <p><b>Step 5</b> Enter another function code to program different parameter or exit the program by pressing ** and you will hear <b>“Three Short Beeps”</b>.</p>	<p><b>Step 2</b> Press # then enter a valid master code and you will hear:</p> <ul style="list-style-type: none"> <li>• <b>“One Short Beep”</b>, the master code is accepted then press # and you will hear <b>“One Short Beep”</b>.</li> <li>• <b>“One Long Beep”</b>, the master code is rejected and the connection will be disconnected.</li> </ul> <p><b>Step 3</b> Press # to enter into the programming mode and you will hear <b>“One Short Beep”</b> or ** to hang-up the call.</p> <p><b>Step 4</b> Enter 65 then press #, you will hear <b>“One Short Beep”</b>.</p> <p><b>Step 5</b> Enter another function code to program different parameter or exit the program by pressing ** and you will hear <b>“Three Short Beeps”</b>.</p>
<p><b>Program Direct Call Forwarding</b></p> <p><b>70</b></p> <p><b>DIRECT CALL FORWARDING</b></p> <p>IS USED IF A DEDICATED PHONE LINE IS USED OR IF YOU WANT TO FORWARD THE CALL MANUALLY.</p> <p>NOTE: INTERCOM MODE IS DISABLED IF A PHONE NUMBER IS PROGRAMMED ON FUNCTION CODE 70</p>	<p><b>Step 1 Entering The Programming Mode: Press 0 and # simultaneously then release.</b> If you are in the programming mode, proceed to step 2.</p> <p><b>Step 2</b> Enter the 4-digit Master Code (factory default is 0000) and you will hear <b>“One Short Beep”</b>. If you entered an invalid master code you will hear <b>“One Long Beep”</b>, repeat step 1. Should your master code become lost or forgotten Reset Master Code.</p> <p><b>Step 3</b> Enter 70 then #, you will hear <b>“No Beep”</b>.</p> <p><b>Step 4</b> Enter the phone number you want to forward the call up to 11-digit then press #, you will hear <b>“One Short Beep”</b>.</p> <p><b>Step 5</b> Enter another Function Code to program another parameter; otherwise press * to exit and you will hear <b>“Three Short Beeps”</b>.</p>	<p><b>Step 1</b> Pick up the phone and wait for dial tone.</p> <p><b>Step 2</b> Press # # and you will hear <b>“One Short Beep”</b>.</p> <p><b>Step 3</b> Press # and you will hear <b>“One Short Beep”</b>.</p> <p><b>Step 4</b> Enter 70 then press #, you will hear <b>“No Beep”</b>.</p> <p><b>Step 5</b> Enter the non-indexed call forwarding phone number up to 11-digit you will hear <b>“One Short Beep”</b>.</p> <p><b>Step 6</b> Enter another function code to program a different parameter or exit the program by pressing ** and you will hear <b>“Three Short Beeps”</b>.</p>	<p><b>Step 1</b> Call to the AeGIS 4000 system (you must know the system's phone number), you will hear: <b>“One Short Beep”</b>, the gate is locked. <b>“Two Short Beeps”</b>, the gate is unlocked.</p> <p><b>Step 2</b> Press # then enter a valid master code and you will hear:</p> <ul style="list-style-type: none"> <li>• <b>“One Short Beep”</b>, the master code is accepted then press # and you will hear <b>“One Short Beep”</b>.</li> <li>• <b>“One Long Beep”</b>, the master code is rejected and the connection will be disconnected.</li> </ul> <p><b>Step 3</b> Press # to enter into the programming mode and you will hear <b>“One Short Beep”</b> or ** to hang-up the call.</p> <p><b>Step 4</b> Enter 70 then press #, you will hear <b>“No Beep”</b>.</p> <p><b>Step 5</b> Enter the non-indexed call forwarding phone number up to 11-digit you will hear <b>“One Short Beep”</b>.</p> <p><b>Step 6</b> Enter another function code to program a different parameter or exit the program by pressing ** and you will hear <b>“Three Short Beeps”</b>.</p>
<p><b>Delete Direct Call Forwarding</b></p>	<p><b>Step 1</b> Press 0 and * simultaneously then release.</p> <p><b>Step 2</b> Press 0 then # to delete telephone number, you will hear <b>“Three Short Beeps”</b>. Now, the AeGIS 4000 is reset to <b>“Intercom Mode”</b>.</p>	<p><b>Step 1</b> Pick up the phone and wait for dial tone.</p> <p><b>Step 2</b> Press # # and you will hear <b>“One Short Beep”</b>.</p> <p><b>Step 3</b> Press 6 and you will hear <b>“Three Short Beeps”</b>, and the system disconnects the call.</p>	<p><b>Step 1</b> Call to the AeGIS 4000 system (you must know the system's phone number), you will hear: <b>“One Short Beep”</b>, the gate is locked. <b>“Two Short Beeps”</b>, the gate is unlocked.</p> <p><b>Step 2</b> Press # then enter a valid master code and you will hear:</p> <ul style="list-style-type: none"> <li>• <b>“One Short Beep”</b>, the master code is accepted then press # and you will hear <b>“One Short Beep”</b>.</li> </ul>

Function	Local Programming	Premise Phone	Remote Phone
			<ul style="list-style-type: none"> <li>• <b>“One Long Beep”</b>, the master code is rejected and the connection will be disconnected.</li> </ul> <p><b>Step 3</b> Press 6, you will hear <b>“Three Short Beeps”</b> and the system disconnects the call.</p>
<p><b>Program Automatic or Manual call forwarding</b></p> <p><b>71-72</b>  <b>AUTOMATIC OR MANUAL CALL FORWARDING</b></p> <p>SEE FUNCTION CODES 87, 88 AND 89 IF YOU WANT TO SET THE SYSTEM FOR AUTOMATIC CALL FORWARDING.</p> <p>SEE ENABLE MANUAL CALL FORWARDING ON CHAPTER 6 IF YOU WANT TO SET THE SYSTEM FOR MANUAL CALL FORWARDING.</p>	<p><b>Step 1</b> Pick up the phone and wait for a dial tone.</p> <p><b>Step 2</b> Press # # and you will hear <b>“One Short Beep”</b>.</p> <p><b>Step 3</b> Press # and you will hear <b>“One Short Beep”</b>.</p> <p><b>Step 4</b> Enter the Function Code number “71” or “72” then press #, you will hear <b>“No Beep”</b>. If you hear <b>“Two Long Beeps”</b>, a phone number is already programmed. Press *, you will hear <b>“One Short Beep”</b> and select another Function Number (71 – 72).</p> <p><b>Step 5</b> Enter a phone number up to 11-digit.</p> <p><b>Step 6</b> Enter another function code to program a different parameter or exit the program by pressing * * and you will hear <b>“Three Short Beeps”</b>.</p>	<p><b>Step 1</b> Pick up the phone and wait for a dial tone.</p> <p><b>Step 2</b> Press # # and you will hear <b>“One Short Beep”</b>.</p> <p><b>Step 3</b> Press # and you will hear <b>“One Short Beep”</b>.</p> <p><b>Step 4</b> Enter the Function Code number “71” or “72” then press #, you will hear <b>“No Beep”</b>. If you hear <b>“Two Long Beeps”</b>, a phone number is already programmed. Press *, you will hear <b>“One Short Beep”</b> and select another Function Number (71 – 72).</p> <p><b>Step 5</b> Enter the a phone number up to 11-digit.</p> <p><b>Step 6</b> Enter another function code to program a different parameter or exit the program by pressing * * and you will hear <b>“Three Short Beeps”</b>.</p>	<p><b>Step 1</b> Call to the AeGIS 4000 system (you must know the system’s phone number), you will hear: <b>“One Short Beep”</b>, the gate is locked. <b>“Two Short Beeps”</b>, the gate is unlocked.</p> <p><b>Step 2</b> Press # then enter a valid master code and you will hear:</p> <ul style="list-style-type: none"> <li>• <b>“One Short Beep”</b>, the master code is accepted then press # and you will hear <b>“One Short Beep”</b>.</li> <li>• <b>“One Long Beep”</b>, the master code is rejected and the connection will be disconnected.</li> </ul> <p><b>Step 3</b> Press # to enter into the programming mode and you will hear <b>“One Short Beep”</b> or ** to hang-up the call.</p> <p><b>Step 4</b> Enter the Function Code or index number “71” or “72” then press #, you will hear <b>“No Beep”</b>. If you hear <b>“Two Long Beeps”</b>, a phone number is already programmed. Press *, you will hear <b>“One Short Beep”</b> and select another Function Number (71 – 72).</p> <p><b>Step 5</b> Enter a phone number up to 11-digit.</p> <p><b>Step 6</b> Enter another function code to program a different parameter or exit the program by pressing * * and you will hear <b>“Three Short Beeps”</b>.</p>
<p><b>Delete or Rewrite Automatic or Manual call forwarding</b></p>	<p><b>Step 1 Entering The Programming Mode: Press 0 and # simultaneously then release.</b> If you are in the programming mode, proceed to step 2.</p> <p><b>Step 2</b> Enter the 4-digit Master Code (factory default is 0000) and you will hear <b>“One Short Beep”</b>. If you entered an invalid master code you will hear <b>“One Long Beep”</b>, repeat step 1. Should your master code become lost or forgotten see Reset Master Code.</p> <p><b>Step 3</b> Enter Function Number (71 – 72) then #, you will hear <b>“Two Long Beeps”</b>. If you hear <b>“No Beep”</b>, a phone number is already programmed. Press *, you will hear</p>	<p><b>Step 1</b> Pick up the phone and wait for a dial tone.</p> <p><b>Step 2</b> Press # # and you will hear <b>“One Short Beep”</b>.</p> <p><b>Step 3</b> Press # and you will hear <b>“One Short Beep”</b>.</p> <p><b>Step 4</b> Enter the Function Code or index number “71” or “72” then press #, you will hear <b>“Two Long Beeps”</b>; means the a phone number is already programmed, proceed to step 5. If you hear <b>“No Beep”</b>, means no phone number is programmed, press * and continue step 4 or proceed to step 6.</p>	<p>Call to the AeGIS 4000 system (you must know the system’s phone number), you will hear: <b>“One Short Beep”</b>, the gate is locked. <b>“Two Short Beeps”</b>, the gate is unlocked.</p> <p><b>Step 2</b> Press # then enter a valid master code and you will hear:</p> <ul style="list-style-type: none"> <li>• <b>“One Short Beep”</b>, the master code is accepted then press # and you will hear <b>“One Short Beep”</b>.</li> <li>• <b>“One Long Beep”</b>, the master code is rejected and the connection will be disconnected.</li> </ul> <p><b>Step 3</b> Press # to enter into the programming mode and you will hear <b>“One Short Beep”</b> and proceed to step 4 or ** to hang-up the call.</p>

Function	Local Programming	Premise Phone	Remote Phone
	<p><b>“One Short Beep”</b> and select another Function Number (71 – 72).</p> <p><b>Step 4</b></p> <ul style="list-style-type: none"> <li>• Enter 0 then #, you will hear <b>“One Short Beep”</b> and phone number programmed is deleted or</li> <li>• Enter 1 then #, you will hear <b>“No Beep”</b> and enter a new call forwarding phone number up to 11- digit, you will hear <b>“One Short Beep”</b>.</li> </ul> <p><b>Step 5</b> Enter another Function Code to delete another Call Forwarding or to program another parameter otherwise press * to exit and you will hear <b>“Three Short Beeps”</b>.</p>	<p><b>Step 5</b></p> <ul style="list-style-type: none"> <li>• Press <b>“0”</b> and #, you will hear <b>“One Short Beep”</b> and phone number programmed is deleted or</li> <li>• Press <b>“1”</b> then press # you will hear <b>“No Beep”</b> and enter a new phone number up to 11-digit then press #, you will hear <b>“One Short Beep”</b>.</li> </ul> <p><b>Step 6</b> Enter another function code to program a different parameter or exit the program by pressing * * and you will hear <b>“Three Short Beeps”</b>.</p>	<p><b>Step 4</b> Enter the Function Code number <b>“71”</b> or <b>“72”</b> then press #, you will hear <b>“Two Long Beeps”</b>; means a phone number is already programmed, proceed to step 5. If you hear <b>“No Beep”</b>, means no phone number is programmed, press * and continue step 4 or proceed to step 6.</p> <p><b>Step 5</b></p> <ul style="list-style-type: none"> <li>• Press <b>“0”</b> and #, you will hear <b>“One Short Beep”</b> and phone number is deleted.</li> <li>• Press <b>“1”</b> then press # you will hear <b>“No Beep”</b> and enter a new phone number up to 11-digit then press #, you will hear <b>“One Short Beep”</b>.</li> </ul> <p><b>Step 6</b> Enter another function code to program a different parameter or exit the program by pressing * * and you will hear <b>“Three Short Beeps”</b>.</p>
<p><b>76</b></p> <p><b>DELETE ALL CALL FORWARDING PHONE NUMBER ON FUNCTION CODE 70, 71 and 72</b></p>	<p><b>Entering The Programming Mode: Press 0 and # simultaneously then release.</b> If you are in the programming mode, proceed to step 2.</p> <p><b>Step 2</b> Enter the 4-digit Master Code (factory default is 0000) and you will hear <b>“One Short Beep”</b>. If you entered an invalid master code you will hear <b>“One Long Beep”</b>, repeat step 1. Should your master code become lost or forgotten see Reset Master Code.</p> <p><b>Step 3</b> Enter 76 then #, you will hear <b>“One Short Beep”</b>.</p> <p><b>Step 4</b> Enter another Function Code to program another parameter otherwise press * to exit and you will hear <b>“Three Short Beeps”</b>.</p>	<p><b>Step 1</b> Pick up the phone and wait for a dial tone.</p> <p><b>Step 2</b> Press # # and you will hear <b>“One Short Beep”</b>.</p> <p><b>Step 3</b> Press # and you will hear <b>“One Short Beep”</b>.</p> <p><b>Step 4</b> Enter the Function Code 76 then press #, you will hear <b>“One Short Beep”</b>.</p> <p><b>Step 5</b> Enter another function code to program a different parameter or exit the program by pressing * * and you will hear <b>“Three Short Beeps”</b>.</p>	<p><b>Step 1</b> Call to the AeGIS 4000 system (you must know the system's phone number), you will hear: <b>“One Short Beep”</b>, the gate is locked. <b>“Two Short Beeps”</b>, the gate is unlocked.</p> <p><b>Step 2</b> Press # then enter a valid master code and you will hear:</p> <ul style="list-style-type: none"> <li>• <b>“One Short Beep”</b>, the master code is accepted then press # and you will hear <b>“One Short Beep”</b>.</li> <li>• <b>“One Long Beep”</b>, the master code is rejected and the connection will be disconnected.</li> </ul> <p><b>Step 3</b> Press # to enter into the programming mode and you will hear <b>“One Short Beep”</b> or ** to hang-up the call.</p> <p><b>Step 4</b> Enter the Function Code 76 then press #, you will hear <b>“One Short Beep”</b>.</p> <p><b>Step 5</b> Enter another function code to program a different parameter or exit the program by pressing * * and you will hear <b>“Three Short Beeps”</b>.</p>
<p><b>87</b></p> <p><b>ENABLE OR DISABLE AUTOMATIC CALL FORWARDING</b></p>	<p><b>Step 1 Entering The Programming Mode: Press 0 and # simultaneously then release.</b> If you are in the programming mode, proceed to step 2.</p> <p><b>Step 2</b> Enter the 4-digit Master Code (factory default is 0000) and you will hear <b>“One Short Beep”</b>. If you entered an invalid master code you will hear <b>“One Long Beep”</b>, repeat step 1. Should your master code become lost or forgotten see Reset Master Code.</p>	<p><b>Step 1</b> Pick up the phone and wait for a dial tone.</p> <p><b>Step 2</b> Press # # and you will hear <b>“One Short Beep”</b>.</p> <p><b>Step 3</b> Press # and you will hear <b>“One Short Beep”</b>.</p> <p><b>Step 4</b> Press 87 then #, you will hear <b>“One Short Beep”</b>.</p>	<p><b>Step 1</b> Call to the AeGIS 4000 system (you must know the system's phone number), you will hear: <b>“One Short Beep”</b>, the gate is locked. <b>“Two Short Beeps”</b>, the gate is unlocked.</p> <p><b>Step 2</b> Press # then enter a valid master code and you will hear:</p> <ul style="list-style-type: none"> <li>• <b>“One Short Beep”</b>, the master code is accepted then press # and you will hear <b>“One Short Beep”</b>.</li> <li>• <b>“One Long Beep”</b>, the master code is rejected and the connection will be disconnected.</li> </ul>

Function	Local Programming	Premise Phone	Remote Phone
	<p><b>Step 3</b> Enter 87 then #, you will hear <b>“One Short Beep”</b>.</p> <p><b>Step 4</b></p> <ul style="list-style-type: none"> <li>• Press 1 then # to enable and you will hear <b>“One Short Beep”</b> or</li> <li>• 0 then # to disable, and you will hear <b>“One Short Beep”</b>.</li> </ul> <p><b>Step 5</b> Enter another Function Code to program another parameter otherwise press * to exit and you will hear <b>“Three Short Beeps”</b>.</p>	<p><b>Step 5</b></p> <ul style="list-style-type: none"> <li>• Press 1 (to enable) then press #, you will hear <b>“One Short Beep”</b> or</li> <li>• Press 0 (to disable) then press #, you will hear <b>“One Short Beep”</b>.</li> </ul> <p><b>Step 6</b> Enter another function code to program a different parameter or exit the program by pressing ** and you will hear <b>“Three Short Beeps”</b>.</p>	<p><b>Step 3</b> Press # to enter into the programming mode and you will hear <b>“One Short Beep”</b> or ** to hang-up the call.</p> <p><b>Step 4</b> Press 87#, you will hear <b>“One Short Beep”</b>, then</p> <ul style="list-style-type: none"> <li>• Press 1 (to enable) then press #, you will hear <b>“One Short Beep”</b> or</li> <li>• Press 0 (to disable) then press #, you will hear <b>“One Short Beep”</b>.</li> </ul> <p><b>Step 5</b> Enter another function code to program a different parameter or exit the program by pressing ** and you will hear <b>“Three Short Beeps”</b>.</p>
<p><b>88</b></p> <p><b>SELECT AUTOMATIC CALL FORWARDING FUNCTION NUMBER</b></p>	<p><b>Step 1 Entering The Programming Mode: Press 0 and # simultaneously then release.</b> If you are in the programming mode, proceed to step 2.</p> <p><b>Step 2</b> Enter the 4-digit Master Code (factory default is 0000) and you will hear <b>“One Short Beep”</b>. If you entered an invalid master code you will hear <b>“One Long Beep”</b>, repeat step 1. Should your master code become lost or forgotten see Reset Master Code.</p> <p><b>Step 3</b> Enter 88 then #, you will hear <b>“One Short Beep”</b>.</p> <p><b>Step 4</b> Enter Index Number (71-72) then #, you will hear <b>“One Short Beep”</b>.</p> <p><b>Step 5</b> Enter another Function Code to program another parameter otherwise press * to exit and you will hear <b>“Three Short Beeps”</b>.</p>	<p><b>Step 1</b> Pick up the phone and wait for a dial tone.</p> <p><b>Step 2</b> Press # # and you will hear <b>“One Short Beep”</b>.</p> <p><b>Step 3</b> Press # and you will hear <b>“One Short Beep”</b>.</p> <p><b>Step 4</b> Press 88 then #, you will hear <b>“One Short Beep”</b>.</p> <p><b>Step 5</b> Press 71 or 72 then press #, you will hear <b>“One Short Beep”</b>.</p> <p><b>Step 6</b> Enter another function code to program a different parameter or exit the program by pressing ** and you will hear <b>“Three Short Beeps”</b>.</p>	<p><b>Step 1</b> Call to the AeGIS 4000 system (you must know the system's phone number), you will hear: <b>“One Short Beep”</b>, the gate is locked. <b>“Two Short Beeps”</b>, the gate is unlocked.</p> <p><b>Step 2</b> Press # then enter a valid master code and you will hear:</p> <ul style="list-style-type: none"> <li>• <b>“One Short Beep”</b>, the master code is accepted then press # and you will hear <b>“One Short Beep”</b>.</li> <li>• <b>“One Long Beep”</b>, the master code is rejected and the connection will be disconnected.</li> </ul> <p><b>Step 3</b> Press # to enter into the programming mode and you will hear <b>“One Short Beep”</b> or ** to hang-up the call.</p> <p><b>Step 4</b> Press 88 then #, you will hear <b>“One Short Beep”</b>.</p> <p><b>Step 5</b> Press 71 or 72 then press #, you will hear <b>“One Short Beep”</b>.</p> <p><b>Step 6</b> Enter another function code to program a different parameter or exit the program by pressing ** and you will hear <b>“Three Short Beeps”</b>.</p>
<p><b>89</b></p> <p><b>SET AUTOMATIC CALL FORWARDING TIME OR HANG-UP TIME</b></p> <p><b>THE SYSTEM WILL HANG-UP ACCORDING TO THE TIME SELECTED ON FUNCTION CODE 89 IF THE TENANT DOES NOT PICK UP THE CALL</b></p>	<p><b>Step 1 Entering The Programming Mode: Press 0 and # simultaneously then release.</b> If you are in the programming mode, proceed to step 2.</p> <p><b>Step 2</b> Enter the 4-digit Master Code (factory default is 0000) and you will hear <b>“One Short Beep”</b>. If you entered an invalid master code you will hear <b>“One Long Beep”</b>, repeat step 1. Should your master code become lost or forgotten see Reset Master Code.</p> <p><b>Step 3</b> Enter 89 then #, you will hear <b>“One Short Beep”</b>.</p>	<p><b>Step 1</b> Pick up the phone and wait for a dial tone.</p> <p><b>Step 2</b> Press # # and you will hear <b>“One Short Beep”</b>.</p> <p><b>Step 3</b> Press # and you will hear <b>“One Short Beep”</b>.</p> <p><b>Step 4</b> Press 89 then #, you will hear <b>“One Short Beep”</b>.</p> <p><b>Step 5</b> Press 15-90 (15 seconds-90 seconds) then press #, you will hear <b>“One Short Beep”</b>.</p>	<p><b>Step 1</b> Call to the AeGIS 4000 system (you must know the system's phone number), you will hear: <b>“One Short Beep”</b>, the gate is locked. <b>“Two Short Beeps”</b>, the gate is unlocked.</p> <p><b>Step 2</b> Press # then enter a valid master code and you will hear:</p> <ul style="list-style-type: none"> <li>• <b>“One Short Beep”</b>, the master code is accepted then press # and you will hear <b>“One Short Beep”</b>.</li> <li>• <b>“One Long Beep”</b>, the master code is rejected and the connection will be disconnected.</li> </ul>

Function	Local Programming	Premise Phone	Remote Phone
	<p><b>Step 4</b> Select the Automatic Call Forwarding Time (15 – 90 seconds) then #, you will hear <b>“One Short Beep”</b>.</p> <p><b>Step 5</b> Enter another Function Code to program another parameter otherwise press * to exit and you will hear <b>“Three Short Beeps”</b>.</p>	<p><b>Step 6</b> Enter another function code to program a different parameter or exit the program by pressing ** and you will hear <b>“Three Short Beeps”</b>.</p>	<p><b>Step 3</b> Press 89 then #, you will hear <b>“One Short Beep”</b>.</p> <p><b>Step 4</b> Press 15-90 (15 seconds-90 seconds) then press #, you will hear <b>“One Short Beep”</b>.</p> <p><b>Step 5</b> Enter another function code to program a different parameter or exit the program by pressing ** and you will hear <b>“Three Short Beeps”</b>.</p>
<p><b>90</b> MANUAL UNLOCK OR LOCK RELAY 1 (DOOR 1)</p>	<p><b>Step 1 Entering The Programming Mode: Press 0 and # simultaneously then release.</b> If you are in the programming mode, proceed to step 2.</p> <p><b>Step 2</b> Enter the 4-digit Master Code (factory default is 0000) and you will hear <b>“One Short Beep”</b>. If you entered an invalid master code you will hear <b>“One Long Beep”</b>, repeat step 1. Should your master code become lost or forgotten see Reset Master Code.</p> <p><b>Step 3</b> Enter 90 then #, you will hear <b>“One Short Beep”</b>.</p> <p><b>Step 4</b></p> <ul style="list-style-type: none"> <li>• Enter 1 to Unlock Relay 1 (Door 1) and you will hear <b>“Two Long Beeps”</b> then <b>“One Short Beep”</b>. If the door is already unlocked you will hear <b>“One Short Beep”</b> or</li> <li>• Enter 0 to Lock and you will hear <b>“One Long Beep”</b> then <b>“One Short Beep”</b>.</li> </ul> <p><b>Step 5</b> Enter another Function Code to program another parameter otherwise press * to exit and you will hear <b>“Three Short Beeps”</b>.</p>	<p><b>Step 1</b> Pick up the phone and wait for a dial tone.</p> <p><b>Step 2</b> Press ## and you will hear <b>“One Short Beep”</b>.</p> <p><b>Step 3</b> Press # and you will hear <b>“One Short Beep”</b>.</p> <p><b>Step 4</b> Press 90 then #, you will hear <b>“One Short Beep”</b>.</p> <p><b>Step 5</b></p> <ul style="list-style-type: none"> <li>• Press 1 (to unlock hold) then press #, you will hear <b>“Two Long Beeps”</b> then <b>“One Short Beep”</b>. If you hear <b>“One Short Beep”</b>, means the door is unlocked or</li> <li>• Press 0 (to lock) then press #, you will hear <b>“One Long Beep”</b> then <b>“One Short Beep”</b>.</li> </ul> <p><b>Step 6</b> Enter another function code to program a different parameter or exit the program by pressing ** and you will hear <b>“Three Short Beeps”</b>.</p>	<p><b>Step 1</b> Call to the AeGIS 4000 system (you must know the system’s phone number), you will hear: <b>“One Short Beep”</b>, the gate is unlocked.</p> <p><b>Step 2</b> Press # then enter a valid master code and you will hear:</p> <ul style="list-style-type: none"> <li>• <b>“One Short Beep”</b>, the master code is accepted then press # and you will hear <b>“One Short Beep”</b>.</li> <li>• <b>“One Long Beep”</b>, the master code is rejected and the connection will be disconnected.</li> </ul> <p><b>Step 3</b> Press 90 then #, you will hear <b>“One Short Beep”</b>.</p> <p><b>Step 4</b></p> <ul style="list-style-type: none"> <li>• <b>Press 1</b> (to unlock hold) then press #, you will hear <b>“Two Long Beeps”</b> then <b>“One Short Beep”</b>. If you hear <b>“One Short Beep”</b>, means the door is already unlocked or</li> <li>• <b>Press 0</b> (to lock) then press #, you will hear <b>“One Long Beep”</b> then <b>“One Short Beep”</b>.</li> </ul> <p><b>Step 5</b> Enter another function code to program a different parameter or exit the program by pressing ** and you will hear <b>“Three Short Beeps”</b>.</p>
<p><b>91</b> MANUAL UNLOCK OR LOCK RELAY 2 (DOOR 2)</p>	<p><b>Step 1 Entering The Programming Mode: Press 0 and # simultaneously then release.</b> If you are in the programming mode, proceed to step 2.</p> <p><b>Step 2</b> Enter the 4-digit Master Code (factory default is 0000) and you will hear <b>“One Short Beep”</b>. If you entered an invalid master code you will hear <b>“One Long Beep”</b>, repeat step 1. Should your master code become lost or forgotten see Reset Master Code.</p> <p><b>Step 3</b> Enter 91 then #, you will hear <b>“One Short Beep”</b>.</p> <p><b>Step 4</b></p> <ul style="list-style-type: none"> <li>• Enter 1 to Unlock Relay 1 (Door 1) and you will hear <b>“Two Long Beeps”</b> then <b>“One Short Beep”</b>. If</li> </ul>	<p><b>Step 1</b> Pick up the phone and wait for a dial tone.</p> <p><b>Step 2</b> Press ## and you will hear <b>“One Short Beep”</b>.</p> <p><b>Step 3</b> Press # and you will hear <b>“One Short Beep”</b>.</p> <p><b>Step 4</b> Press 91 then #, you will hear <b>“One Short Beep”</b>.</p> <p><b>Step 5</b></p> <ul style="list-style-type: none"> <li>• Press 1 (to unlock hold) then press #, you will hear <b>“Two Long Beeps”</b> then <b>“One Short Beep”</b>. If you hear <b>“One Short Beep”</b>, means the door is unlocked or</li> <li>• Press 0 (to lock) then press #, you will hear <b>“One Long Beep”</b> then <b>“One Short Beep”</b>.</li> </ul>	<p><b>Step 1</b> Call to the AeGIS 4000 system (you must know the system’s phone number), you will hear: <b>“One Short Beep”</b>, the gate is locked. <b>“Two Short Beeps”</b>, the gate is unlocked.</p> <p><b>Step 2</b> Press # then enter a valid master code and you will hear:</p> <ul style="list-style-type: none"> <li>• <b>“One Short Beep”</b>, the master code is accepted then press # and you will hear <b>“One Short Beep”</b>.</li> <li>• <b>“One Long Beep”</b>, the master code is rejected and the connection will be disconnected.</li> </ul> <p><b>Step 3</b> Press 91 then #, you will hear <b>“One Short Beep”</b>.</p> <p><b>Step 4</b></p> <ul style="list-style-type: none"> <li>• <b>Press 1</b> (to unlock hold) then press #, you will hear <b>“Two Long Beeps”</b></li> </ul>

Function	Local Programming	Premise Phone	Remote Phone
	<p>the door is already unlocked you will hear <b>"One Short Beep"</b> or</p> <ul style="list-style-type: none"> <li>Enter 0 to Lock and you will hear <b>"One Long Beep"</b> then <b>"One Short Beep"</b>.</li> </ul> <p><b>Step 5</b> Enter another Function Code to program another parameter otherwise press * to exit and you will hear <b>"Three Short Beeps"</b>.</p>	<p><b>Step 6</b> Enter another function code to program a different parameter or exit the program by pressing ** and you will hear <b>"Three Short Beeps"</b>.</p>	<p>then <b>"One Short Beep"</b>. If you hear <b>"One Short Beep"</b>, means the door is already unlocked or</p> <ul style="list-style-type: none"> <li>Press 0 (to lock) then press #, you will hear <b>"One Long Beep"</b> then <b>"One Short Beep"</b>.</li> </ul> <p><b>Step 5</b> Enter another function code to program a different parameter or exit the program by pressing ** and you will hear <b>"Three Short Beeps"</b>.</p>
<p><b>92</b></p> <p>TALK TIME (10-90 seconds)</p> <p>THE SYSTEM WILL BE DISCONNECTED ACCORDING TO THE TALK TIME PROGRAMMED.</p>	<p><b>Step 1 Entering The Programming Mode: Press 0 and # simultaneously then release.</b> If you are in the programming mode, proceed to step 2.</p> <p><b>Step 2</b> Enter the 4-digit Master Code (factory default is 0000) and you will hear <b>"One Short Beep"</b>. If you entered an invalid master code you will hear <b>"One Long Beep"</b>, repeat step 1. Should your master code become lost or forgotten see Reset Master Code.</p> <p><b>Step 3</b> Enter 92 then #, you will hear <b>"One Short Beep"</b>.</p> <p><b>Step 4</b> Enter the talk-time value (10 – 90 seconds) then press #, you will hear <b>"One Short Beep"</b>.</p> <p><b>Step 5</b> Enter another Function Code to program another parameter otherwise press * to exit and you will hear <b>"Three Short Beeps"</b>.</p>	<p><b>Step 1</b> Pick up the phone and wait for a dial tone.</p> <p><b>Step 2</b> Press ## and you will hear <b>"One Short Beep"</b>.</p> <p><b>Step 3</b> Press # and you will hear <b>"One Short Beep"</b>.</p> <p><b>Step 4</b> Enter the Function Code 92 then press #, you will hear <b>"One Short Beep"</b>.</p> <p><b>Step 5</b> Enter the talk time value (10 –90 seconds) then press #, you will hear <b>"One Short Beep"</b>.</p> <p><b>Step 6</b> Enter another function code to program a different parameter or exit the program by pressing ** and you will hear <b>"Three Short Beeps"</b>.</p>	<p><b>Step 1</b> Call to the AeGIS 4000 system (you must know the system's phone number), you will hear: <b>"One Short Beep"</b>, the gate is locked. <b>"Two Short Beeps"</b>, the gate is unlocked.</p> <p><b>Step 2</b> Press # then enter a valid master code and you will hear:</p> <ul style="list-style-type: none"> <li><b>"One Short Beep"</b>, the master code is accepted then press # and you will hear <b>"One Short Beep"</b>.</li> <li><b>"One Long Beep"</b>, the master code is rejected and the connection will be disconnected.</li> </ul> <p><b>Step 3</b> Enter the Function Code 92 then press #, you will hear <b>"One Short Beep"</b>.</p> <p><b>Step 4</b> Enter the talk time value (10 –90 seconds) then press #, you will hear <b>"One Short Beep"</b>.</p> <p><b>Step 5</b> Enter another function code to program a different parameter or exit the program by pressing ** and you will hear <b>"Three Short Beeps"</b>.</p>
<p><b>93</b></p> <p>LOCK OUT COUNT (03-09)</p> <p>THE SYSTEM WILL BE DISABLED FOR 50 SECONDS AFTER INVALID CODES HAVE BEEN ENTERED ACCORDING TO THE NUMBER OF LOCKOUT COUNT PROGRAMMED.</p>	<p><b>Step 1 Entering The Programming Mode: Press 0 and # simultaneously then release.</b> If you are in the programming mode, proceed to step 2.</p> <p><b>Step 2</b> Enter the 4-digit Master Code (factory default is 0000) and you will hear <b>"One Short Beep"</b>. If you entered an invalid master code you will hear <b>"One Long Beep"</b>, repeat step 1. Should your master code become lost or forgotten see Reset Master Code.</p> <p><b>Step 3</b> Enter 93 then #, you will hear <b>"One Short Beep"</b>.</p> <p><b>Step 4</b> Enter a new lockout count value (3-9) then press #, you will hear <b>"One Short Beep"</b>.</p> <p><b>Step 5</b> Enter another Function Code to program another parameter otherwise press * to exit and you will hear <b>"Three Short Beeps"</b>.</p>	<p><b>Step 1</b> Pick up the phone and wait for a dial tone.</p> <p><b>Step 2</b> Press ## and you will hear <b>"One Short Beep"</b>.</p> <p><b>Step 3</b> Press # and you will hear <b>"One Short Beep"</b>.</p> <p><b>Step 4</b> Enter the Function Code 93 then press #, you will hear <b>"One Short Beep"</b>.</p> <p><b>Step 5</b> Enter the lockout count (03 – 09) then press #, you will hear <b>"One Short Beep"</b>.</p> <p><b>Step 6</b> Enter another function code to program a different parameter or exit the program by pressing ** and you will hear <b>"Three Short Beeps"</b>.</p>	<p><b>Step 1</b> Call to the AeGIS 4000 system (you must know the system's phone number), you will hear: <b>"One Short Beep"</b>, the gate is locked. <b>"Two Short Beeps"</b>, the gate is unlocked.</p> <p><b>Step 2</b> Press # then enter a valid master code and you will hear:</p> <ul style="list-style-type: none"> <li><b>"One Short Beep"</b>, the master code is accepted then press # and you will hear <b>"One Short Beep"</b>.</li> <li><b>"One Long Beep"</b>, the master code is rejected and the connection will be disconnected.</li> </ul> <p><b>Step 3</b> Enter the Function Code 93 then press #, you will hear <b>"One Short Beep"</b>.</p> <p><b>Step 4</b> Enter the lockout count (03 – 09) then press #, you will hear <b>"One Short Beep"</b>.</p>

Function	Local Programming	Premise Phone	Remote Phone
<p><b>94</b>  <b>AUXILIARY MODE</b>  AUXILIARY INPUT CAN BE USED FOR TIMER, DOOR RELEASE SWITCH, ETC.</p>	<p><b>Step 1 Entering The Programming Mode: Press 0 and # simultaneously then release.</b> If you are in the programming mode, proceed to step 2.</p> <p><b>Step 2</b> Enter the 4-digit Master Code (factory default is 0000) and you will hear <b>“One Short Beep”</b>. If you entered an invalid master code you will hear <b>“One Long Beep”</b>, repeat step 1. Should your master code become lost or forgotten Reset Master Code.</p> <p><b>Step 3</b> Enter 94 then #, you will hear <b>“One Short Beep”</b>.</p> <p><b>Step 4</b> Enter  <b>0</b> = AUXIN is disabled or  <b>1</b> = is enabled and door will open according to Door Open Interval programmed on function Code “92”) or  <b>2</b> = AUXIN is enabled and opening door is controlled by the AUXIN) then press #, you will hear <b>“One Short Beep”</b>.</p> <p><b>Step 5</b> Enter another Function Code to program another parameter otherwise press * to exit and you will hear <b>“Three Short Beeps”</b>.</p>	<p><b>Step 1</b> Pick up the phone and wait for a dial tone.</p> <p><b>Step 2</b> Press # # and you will hear <b>“One Short Beep”</b>.</p> <p><b>Step 3</b> Press # and you will hear <b>“One Short Beep”</b>.</p> <p><b>Step 4</b> Enter the Function Code 94 then press #, you will hear <b>“One Short Beep”</b>.</p> <p><b>Step 5</b> Enter  <b>0</b> = AUI is disabled or  <b>1</b> = AUI is enabled, door open time is control by door open interval programmed on function code 92, or  <b>2</b> = AUI is enabled, door open time is controlled by the AUI) then press #, you will hear <b>“One Short Beep”</b>.</p> <p><b>Step 6</b> Enter another function code to program a different parameter or exit the program by pressing * * and you will hear <b>“Three Short Beeps”</b>.</p>	<p><b>Step 5</b> Enter another function code to program a different parameter or exit the program by pressing * * and you will hear <b>“Three Short Beeps”</b>.</p> <p><b>Step 1</b> Call to the AeGIS 4000 system (you must know the system’s phone number), you will hear: <b>“One Short Beep”</b>, the gate is locked. <b>“Two Short Beeps”</b>, the gate is unlocked.</p> <p><b>Step 2</b> Press # then enter a valid master code and you will hear:  • <b>“One Short Beep”</b>, the master code is accepted then press # and you will hear <b>“One Short Beep”</b>.  • <b>“One Long Beep”</b>, the master code is rejected and the connection will be disconnected.</p> <p><b>Step 3</b> Enter the Function Code 94 then press #, you will hear <b>“One Short Beep”</b>.</p> <p><b>Step 4</b> Enter  <b>0</b> = AUI is disabled or  <b>1</b> = AUI is enabled, door open time is control by door open interval programmed on function code 92, or  <b>2</b> = AUI is enabled, door open time is controlled by the AUI) then press #, you will hear <b>“One Short Beep”</b>.</p> <p><b>Step 5</b> Enter another function code to program a different parameter or exit the program by pressing * * and you will hear <b>“Three Short Beeps”</b>.</p>
<p><b>95</b>  <b>ALARM MODE</b>  THE SYSTEM WILL BEEP OR CALL THE REMOTE PHONE IF INVALID ACCESS CODES ARE ENTERED.</p>	<p><b>Step 1 Entering The Programming Mode: Press 0 and # simultaneously then release.</b> If you are in the programming mode, proceed to step 2.</p> <p><b>Step 2</b> Enter the 4-digit Master Code (factory default is 0000) and you will hear <b>“One Short Beep”</b>. If you entered an invalid master code you will hear <b>“One Long Beep”</b>, repeat step 1. Should your master code become lost or forgotten see Reset Master Code.</p> <p><b>Step 3</b> Enter 95 then #, you will hear <b>“One Short Beep”</b>.</p> <p><b>Step 4</b> Enter  <b>0</b> for local (system’s speaker will beep and the system will be blocked-out for 60 seconds)  <b>1</b> system will make an emergency call to a premise or remote location and the system will be blocked-out for 60 seconds then press #, you will hear</p>	<p><b>Step 1</b> Pick up the phone and wait for a dial tone.</p> <p><b>Step 2</b> Press # # and you will hear <b>“One Short Beep”</b>.</p> <p><b>Step 3</b> Press # and you will hear <b>“One Short Beep”</b>.</p> <p><b>Step 4</b> Enter the Function Code 95 then press #, you will hear <b>“One Short Beep”</b>.</p> <p><b>Step 5</b> Enter  <b>0</b> = the system will beep via its speaker or  <b>1</b> = the system will call into a premise or remote location) then press #, you will hear <b>“One Short Beep”</b>.</p> <p><b>Step 6</b> Enter another function code to program a different parameter or exit the program by pressing * * and you will hear <b>“Three Short Beeps”</b>.</p>	<p><b>Step 1</b> Call to the AeGIS 4000 system (you must know the system’s phone number), you will hear: <b>“One Short Beep”</b>, the gate is locked. <b>“Two Short Beeps”</b>, the gate is unlocked.</p> <p><b>Step 2</b> Press # then enter a valid master code and you will hear:  • <b>“One Short Beep”</b>, the master code is accepted then press # and you will hear <b>“One Short Beep”</b>.  • <b>“One Long Beep”</b>, the master code is rejected and the connection will be disconnected.</p> <p><b>Step 3</b> Enter the Function Code 95 then press #, you will hear <b>“One Short Beep”</b>.</p> <p><b>Step 4</b> Enter  <b>0</b> = the system will beep via its speaker or  <b>1</b> = the system will call into a premise or remote location then press #, you will hear <b>“One Short Beep”</b>.</p>

Function	Local Programming	Premise Phone	Remote Phone
	<p><b>"One Short Beep"</b>. Refer to Chapter 5 System's Operation.</p> <p><b>Step 5</b> Enter another Function Code to program another parameter otherwise press * to exit and you will hear <b>"Three Short Beeps"</b>.</p>		<p><b>Step 5</b> Enter another function code to program a different parameter or exit the program by pressing * * and you will hear <b>"Three Short Beeps"</b>.</p>
<p><b>96</b></p> <p><b>SYSTEM ANSWER MODE</b></p> <p>ENABLE OR DISABLE THE AUTO ANSWER MODE. IF DISABLE THE SYSTEM WILL NOT ANSWER AN INCOMING CALL FROM THE OUTSIDE LINE.</p>	<p><b>Step 1 Entering The Programming Mode: Press 0 and # simultaneously then release.</b> If you are in the programming mode, proceed to step 2.</p> <p><b>Step 2</b> Enter the 4-digit Master Code (factory default is 0000) and you will hear <b>"One Short Beep"</b>. If you entered an invalid master code you will hear <b>"One Long Beep"</b>, repeat step 1. Should your master code become lost or forgotten see Reset Master Code.</p> <p><b>Step 3</b> Enter 96 then #, you will hear <b>"One Short Beep"</b>.</p> <p><b>Step 4</b> Enter 0 (system answer is disabled) or 1, 2, 3 or...9 (system will answer a remote call on 1<sup>st</sup> ring, 2<sup>nd</sup> ring, 3<sup>rd</sup> ring...9<sup>th</sup> ring) then press # and you will hear <b>"One Short Beep"</b>.</p> <p><b>Step 5</b> Enter another Function Code to program another parameter otherwise press * to exit and you will hear <b>"Three Short Beeps"</b>.</p>	<p>The system number of rings to answer a remote call can be programmed from 1 to 9 rings or it can also be disabled. <b>You must program the System Answer Mode at the front panel</b></p>	<p>The system number of rings to answer a remote call can be programmed from 1 to 9 rings or it can also be disabled. <b>You must program the System Answer Mode at the front panel.</b></p>
<p><b>97</b></p> <p><b>DO NOT DISTURB MODE</b></p> <p>DISABLE OR ENABLE THE SYSTEM TO CALL</p>	<p><b>Step 1 Entering The Programming Mode: Press 0 and # simultaneously then release.</b> If you are in the programming mode, proceed to step 2.</p> <p><b>Step 2</b> Enter the 4-digit Master Code (factory default is 0000) and you will hear <b>"One Short Beep"</b>. If you entered an invalid master code you will hear <b>"One Long Beep"</b>, repeat step 1. Should your master code become lost or forgotten see Reset Master Code.</p> <p><b>Step 3</b> Enter 97 then #, you will hear <b>"One Short Beep"</b>.</p> <p><b>Step 4</b> Enter 0 to disable <b>Do not Disturb Mode</b> (mode 0 is factory default setting) 1 to enable <b>Do not Disturb Mode</b> (system will not call to a premise or remote location) then press #, you will hear <b>"One Short Beep"</b>.</p> <p><b>Step 5</b> Enter another Function Code to program another parameter otherwise press * to exit and you will</p>	<p><b>Step 1</b> Pick up the phone and wait for a dial tone.</p> <p><b>Step 2</b> Press # # and you will hear <b>"One Short Beep"</b>.</p> <p><b>Step 3</b> Press # and you will hear <b>"One Short Beep"</b>.</p> <p><b>Step 4</b> Enter the Function Code 97 then press #, you will hear <b>"One Short Beep"</b>.</p> <p><b>Step 5</b> Enter 0 (to disable) or 1 (to enable) then press #, you will hear <b>"One Short Beep"</b>.</p> <p><b>Step 6</b> Enter another function code to program a different parameter or exit the program by pressing * * and you will hear <b>"Three Short Beeps"</b>.</p>	<p><b>Step 1</b> Call to the AeGIS 4000 system (you must know the system's phone number), you will hear: <b>"One Short Beep"</b>, the gate is locked. <b>"Two Short Beeps"</b>, the gate is unlocked.</p> <p><b>Step 2</b> Press # then enter a valid master code and you will hear:</p> <ul style="list-style-type: none"> <li>• <b>"One Short Beep"</b>, the master code is accepted then press # and you will hear <b>"One Short Beep"</b>.</li> <li>• <b>"One Long Beep"</b>, the master code is rejected and the connection will be disconnected.</li> </ul> <p><b>Step 3</b> Enter the Function Code 97 then press #, you will hear <b>"One Short Beep"</b>.</p> <p><b>Step 4</b> Enter 0 (to disable) or 1 (to enable) then press #, you will hear <b>"One Short Beep"</b>.</p> <p><b>Step 5</b> Enter another function code to program a different parameter or exit the program by pressing * * and you will hear <b>"Three Short Beeps"</b>.</p>



Function	Local Programming	Premise Phone	Remote Phone
	hear <b>“Three Short Beep”</b> .		
<p><b>98</b></p> <p><b>SELECT INITIATING PREMISE CALL KEY ## or **</b></p>	<p><b>Step 1 Entering The Programming Mode: Press 0 and # simultaneously then release.</b> If you are in the programming mode, proceed to step 2.</p> <p><b>Step 2</b> Enter the 4-digit Master Code (factory default is 0000) and you will hear <b>“One Short Beep”</b>. If you entered an invalid master code you will hear <b>“One Long Beep”</b>, repeat step 1. Should your master code become lost or forgotten see Reset Master Code.</p> <p><b>Step 3</b> Enter 98 then #, you will hear <b>“One Short Beep”</b>.</p> <p><b>Step 4</b> Enter 0 to use # key or 1 to use * * then press #, you will hear <b>“One Short Beep”</b>.</p> <p><b>Step 5</b> Enter another Function Code to program another parameter otherwise press * to exit and you will hear <b>“Three Short Beeps”</b>.</p>	<p><b>Step 1</b> Pick up the phone and wait for a dial tone.</p> <p><b>Step 2</b> Press # # and you will hear <b>“One Short Beep”</b>.</p> <p><b>Step 3</b> Press # and you will hear <b>“One Short Beep”</b>.</p> <p><b>Step 4</b> Enter the Function Code 98 then press #, you will hear <b>“One Short Beep”</b>.</p> <p><b>Step 5</b> Enter 0 = to select ## or 1 = to select ** then press #, you will hear <b>“One Short Beep”</b>.</p> <p><b>Step 6</b> Enter another function code to program a different parameter or exit the program by pressing * * and you will hear <b>“Three Short Beeps”</b>.</p>	<p><b>Step 1</b> Call to the AeGIS 4000 system (you must know the system's phone number), you will hear: <b>“One Short Beep”</b>, the gate is locked. <b>“Two Short Beeps”</b>, the gate is unlocked.</p> <p><b>Step 2</b> Press # then enter a valid master code and you will hear:</p> <ul style="list-style-type: none"> <li>• <b>“One Short Beep”</b>, the master code is accepted then press # and you will hear <b>“One Short Beep”</b>.</li> <li>• <b>“One Long Beep”</b>, the master code is rejected and the connection will be disconnected.</li> </ul> <p><b>Step 3</b> Enter the Function Code 98 then press #, you will hear <b>“One Short Beep”</b>.</p> <p><b>Step 4</b> Enter 0 (to select ##) or 1 (to select **) then press #, you will hear <b>“One Short Beep”</b>.</p> <p><b>Step 5</b> Enter another function code to program a different parameter or exit the program by pressing * * and you will hear <b>“Three Short Beeps”</b>.</p>
<p><b>99</b></p> <p><b>SET MEMORY TO FACTORY DEFAULT</b></p> <p><b>ERASE THE MEMORY AND RESET THE SYSTEM TO FACTORY DEFAULT, THE MASTER CODE IS ALSO RESET TO 0000</b></p>	<p><b>Step 1 Entering The Programming Mode: Press 0 and # simultaneously then release.</b> If you are in the programming mode, proceed to step 2.</p> <p><b>Step 2</b> Enter the 4-digit Master Code (factory default is 0000) and you will hear <b>“One Short Beep”</b>. If you entered an invalid master code you will hear <b>“One Long Beep”</b>, repeat step 1. Should your master code become lost or forgotten see Reset Master Code.</p> <p><b>Step 3</b> Enter 99 then #, you will hear <b>“Two Long Beeps”</b>.</p> <p><b>Step 4</b> Enter 0 then # to cancel and you will hear <b>“One short beep”</b> or 1 then # to clear the system's database and entire configuration to factory default and you will hear <b>“Three short beeps”</b>.</p> <p><b>Step 5</b> Enter another Function Code to program another parameter otherwise press * to exit and you will hear <b>“Three Short Beeps”</b>.</p>	<p><b>It must be done locally at the main lobby control panel.</b></p>	<p><b>It must be done locally at the main lobby control panel.</b></p>

# CHAPTER 4. OPERATIONS

It is important for you to understand the system's operations completely for the most ease of operations. You can enable or disable the system programming *remotely via a touch-tone phone* or *locally via the system's keypad*.

DESCRIPTION	ACTION
<b>TO INITIATE THE CALL AND DISCONNECT THE CALL FROM THE AeGIS 4000.</b>	Press # to initiate a call to a premise or remote location, and you will hear: <b>"A Ring Back "</b> until the called is answered or the system's timer is expired (see function code 92). If you decide to abort the call, press *.
<b>ANSWER THE AeGIS 4000 CALL AND EXTEND THE TALK TIME.</b>	<p>Tenant will hear <b>double rings (distinctive ringing)</b> if the AeGIS 4000 calls to a premise. No distinctive ringing will be heard if the AeGIS calls to a remote location.</p> <p><b>Step 1</b> Answer the AeGIS calls.</p> <p><b>Step 2</b> Talk to your visitor, you will hear <b>"One Short Beep"</b> 10 seconds before the talk time expired, press # to extend the talk time to another cycle. Press 9 to provide access to relay 1 (door1) or press 8 to provide access to relay 2 (door 2) then you will hear <b>"Two Short Beeps"</b> or hang up if you do not want to provide access to your visitor.</p>
<b>PROVIDE ACCESS TO VISITOR.</b>	Connection must be established then tenant needs to <b>press 9</b> to provide access to relay 1 (door 1) or <b>press 8</b> to provide access to relay 2 (door 2) to visitor and you will hear <b>"Two Short Beeps"</b> .
<b>USING A CALL WAITING FEATURE.</b>	<p>The AeGIS 4000 has built-in call waiting feature. You may not be able to tell the different between the AeGIS call waiting beeps and the phone company call waiting beeps.</p> <p><b>If you are connected to an outside line and receive a call from the AeGIS 4000:</b></p> <p><b>Step 1</b> You will hear <b>"Three Sets of a Short Beep"</b> with three seconds delay between them (indicates you have an incoming call from the AeGIS 4000). <b>Do Not Hang-up, Doing So Will Disconnect Both Calls.</b></p> <p><b>Step 2</b> <b>Press *</b> to disconnect the outside call and now you are connected to the AeGIS or <b>Press "0"</b> to put the outside calls on hold and you will hear <b>"Three Sets of Two Short Beep"</b> with three seconds delay between them (indicates you have a call holding on the outside line).</p> <p><b>Step 3</b> <b>Press 9</b> to provide access to relay 1 (door 1) or <b>press 8</b> to provide access to relay 2 (door 2) to visitor and you will hear <b>"Two Short Beeps"</b> or * to hang-up with the AeGIS and you will be automatically switched to the original call.</p> <p><b>If you are connected with the AeGIS 4000 and receive an outside call:</b></p> <p><b>Step 1</b> You will hear <b>"Three Sets of Three Short Beeps"</b> with three seconds delay between them (indicates you have an incoming call from the outside line). <b>Do Not Hang-up, Doing So Will Disconnect Both Calls.</b></p> <p><b>Step 2</b> <b>Press 9</b> to provide access to relay 1 (door 1) or <b>press 8</b> to provide access to relay 2 (door 2) to visitor and you will hear <b>"Two Short Beeps"</b>. <b>Press *</b> to disconnect the AeGIS calls and you are connected to the out side calls or <b>Press "0"</b> to put the AeGIS calls on hold and you will hear <b>"Three Sets of a Short Beep"</b> with three seconds delay between them, indicates you have a call holding.</p>
<b>USING PERSONAL ACCESS CODE.</b>	<p><b>Press * then a 4-digit access code.</b></p> <ul style="list-style-type: none"> <li>• Hear <b>"Two Long Beeps"</b> means your access code is accepted by the system.</li> <li>• Hear <b>"One Long Beep"</b> means your access code is denied because of invalid or same code is programmed on Index 01-20, 21-40 or 41-50 and try again.</li> </ul> <p><b>Do not program the same access code on Index 01-20, Index 21-40 and 41-50, otherwise the access code will not work.</b></p>

DESCRIPTION	ACTION
<p><b>ENABLE AND DISABLE CALL FORWARDING.</b></p>	<p><b>Enable and Disable Function Code 70 via system's keypad</b>  <b>To enable:</b> the call forwarding is automatically enabled if the phone number is programmed on function code 70 (see Chapter 3).  <b>To disable:</b> Press * and 0 simultaneously, then 0#, you will hear <i>"Three Short Beeps"</i> the phone number on function code 70 will be deleted.</p> <p><b>Enable and Disable Function Code 71 and 72 Call Forwarding via system's keypad (Local).</b></p> <p><b>Step 1</b> Press 0 and * simultaneously then release them.</p> <p><b>Step 2</b> <b>To Enable:</b> Press 1 or 2 (for telephone number stored in function code 71 or 72) then press #. You will hear <i>"Three Short Beeps"</i>. If the phone number does not exist you will hear <i>"One Long Beep"</i>.  <b>To disable:</b> Press * and 0 simultaneously, then 0#, you will hear <i>"Three Short Beeps"</i>.</p> <p><b>Step 3</b> Wait for about 15 seconds before trying to call from the system.</p> <p><b>Enable or Disable Function Code 71 and 72 Call Forwarding from Premise Phone.</b></p> <p><b>Step 1</b> Pick up your handset and wait for a dial tone.</p> <p><b>Step 2</b> Press # # and you will hear <i>"One Short Beep"</i>, then</p> <p><b>Step 3</b> <b>To Enable:</b> Press 1 or 2 (for telephone number stored in function code 71 or 72). You will hear <i>"Three Short Beeps"</i> and you are disconnected. If the phone number does not exist, you will hear <i>"One Long Beep"</i>.  <b>To Disable:</b> Press 0, you will hear <i>"Three Short Beeps"</i>.</p> <p><b>Enable or Disable Function Code 71 and 72 Call Forwarding from Remote Location.</b></p> <p><b>Step 1</b> Pick up your handset and wait for a dial tone.</p> <p><b>Step 2</b> Dial the AeGIS phone number and you will hear <i>"One Short Beep"</i> if the gate is locked or <i>"Two Short Beeps"</i> if the gate is unlocked.</p> <p><b>Step 3</b> Press # then the 4-digit master code, you will hear <i>"One Short Beep"</i> then</p> <p><b>Step 4</b> <b>To Enable:</b> press 1 or 2 (for telephone number stored in function code 71 or 72) then you will hear <i>"Three Short Beeps"</i> and you are disconnected. If the phone number does not exist, you will hear <i>"One Long Beep"</i>.  <b>To Disable:</b> Press 0, you will hear <i>"Three Short Beeps"</i>.</p>
<p><b>ACTIVATE AUTOMATIC CALL FORWARDING</b></p>	<p>There are three different function codes 87, 88, and 89 need to be configured. You can configure them local or remote, see chapter 3.</p> <ul style="list-style-type: none"> <li>• Function Code 87 (Enable or Disable Automatic Call Forwarding) is enabled by default.</li> <li>• Function Code 88 (Select Automatic Call Forwarding Function Code Number) is selected to Function Code 71 automatically if a phone number is programmed on 71.</li> <li>• Function Code 89 (Set Automatic Call Forwarding Time).</li> </ul>
<p><b>UNLOCK CYCLE, UNLOCK HOLD AND LOCK RELAY 1 (DOOR 1) AND RELAY 2 (DOOR 2).</b></p>	<p><b>Via the System's Keypad</b>  <b>Note:</b> cannot do unlock cycle from the system's keypad.</p> <p><b>Step 1</b> Press 0 and # simultaneously then release. If you are in the programming mode, proceed to step 2.</p> <p><b>Step 2</b> Enter the 4-digit Master Code (factory default is 0000) and you will hear <i>"One Short Beep"</i>. If you entered an invalid master code you will hear <i>"One Long Beep"</i>, repeat step 1. Should your master code become lost or forgotten see Reset Master Code.</p> <p><b>Step 3</b> Enter <b>90 for relay 1 (door 1) or 91 for relay 2 (door 2)</b> then #, you will hear <i>"One Short Beep"</i>.</p> <p><b>Step 4</b> Press 1 (to unlock hold) then press #, you will hear <i>"Two Long Beeps"</i> then <i>"One Short Beep"</i>. If you hear <i>"One Short Beep"</i>, means the door is unlocked or Press 0 (to lock) then press #, you will hear <i>"One Long Beep"</i> then <i>"One Short Beep"</i>.</p>

DESCRIPTION	ACTION
	<p><b>Step 5</b> Enter another Function Code to program another parameter otherwise press * to exit and you will hear <b>“Three Short ”</b>.</p> <p><b>From Premise Location</b></p> <p><b>Step 1</b> Pick up your handset and wait for a dial tone.</p> <p><b>Step 2</b> Press # # and you will hear <b>“One Short Beep” then</b></p> <p><b>Step 3</b> <b>Press 9</b> to Unlock Cycle Relay 1 (door 1), you will hear <b>“Two Short Beeps”</b> or <b>Press 8</b> to Unlock Hold Relay 1 (door 1), you will hear <b>” Two Short Beeps”</b>. If door or gate is unlocked, you will hear <b>“No Beep”</b> or <b>Press 7</b> to lock Relay 1 (door 1), you will hear <b>“One Short Beep”</b>. Then you are disconnected.  <b>OR</b>  <b>Press 5</b> to Unlock Cycle Relay 2 (door 2), you will hear <b>“Two Short Beeps”</b> or <b>Press 4</b> to Unlock Hold Relay 2 (door 2), you will hear <b>” Two Short Beeps”</b>. If door or gate is unlocked, you will hear <b>“No Beep”</b> or <b>Press 3</b> to lock Relay 2 (door 2), you will hear <b>“One Short Beep”</b>. Then you are disconnected.</p> <p><b>From Remote Location</b></p> <p><b>Step 1</b> Pick up your handset and wait for a dial tone and dial the system phone number. You will be connected to the system after a certain number of rings preprogrammed on Function Code 96 and you will hear <b>“One Short Beep”</b> if the gate is locked or <b>“Two Short Beeps”</b> if the gate is unlocked.</p> <p><b>Step 2</b> Press # then 4-digit Master Code and you will hear <b>“One Short Beep”</b> if the master code is accepted or the call will be disconnected if the master code is invalid.</p> <p><b>Step 3</b> Press 9 to Unlock Cycle Relay 1 (door 1), you will hear <b>“Two Short Beeps”</b> or Press 8 to Unlock Hold Relay 1 (door 1), you will hear <b>” Two Short Beeps”</b>. If door or gate is unlocked, you will hear <b>“No Beep”</b> or Press 7 to lock Relay 1 (door 1), you will hear <b>“One Short Beep”</b>. Then you are disconnected.  <b>OR</b>  Press 5 to Unlock Cycle Relay 2 (door 2), you will hear <b>“Two Short Beeps”</b> or Press 4 to Unlock Hold Relay 2 (door 2), you will hear <b>” Two Short Beeps”</b>. If door or gate is unlocked, you will hear <b>“No Beep”</b> or Press 3 to lock Relay 2 (door 2), you will hear <b>“One Short Beep”</b>. Then you are disconnected.</p>
<p><b>HANG-UP AEGIS CALLS FROM PREMISE OR REMOTE LOCATION</b></p>	<p>Hanging-up the AeGIS calls from a premise or remote location:</p> <ul style="list-style-type: none"> <li>• Wait until the talk time expires or</li> <li>• Hang-up the handset or</li> <li>• Press * *</li> </ul>
<p><b>CALL AND TALK TO THE AEGIS FROM PREMISE OR REMOTE LOCATION</b></p>	<p><b>From Premise Location</b></p> <p><b>Step 1</b> Pick-up the handset.</p> <p><b>Step 2</b> Press # # and you will hear <b>“One Short Beep”</b>.</p> <p><b>Step 3</b> Press * and now you are ready to talk to the AeGIS system. You may press 9 to open door or gate.</p> <p><b>From Remote Location</b></p> <p><b>Step 1</b> Pick-up the handset and wait for dial tone.</p>

DESCRIPTION	ACTION
	<p><b>Step 2</b> Dial the AeGIS phone number and you will hear <b>“One Short Beep”</b> if the gate is locked or <b>“Two Short Beeps”</b> if the gate is unlocked.</p> <p><b>Step 3</b> Press # then 4-digit master code and you will hear <b>“One Short Beep”</b> if your master code is accepted or you will hear <b>“One Long Beep”</b> if your master code is rejected and the system will disconnect.</p> <p><b>Step 4</b> Press *, you are ready to talk to the AeGIS system. You may press “9” to open door or gate.</p>
<b>ALARM NOTIFICATION</b>	<p>An alarm notification will occur if someone has been using incorrect access codes in order to gain access and the number of account has been exceeded the lockout-count limit. The system will provide an alarm notification local at the AeGIS system or remote (calling into a premise or remote location phone). Refer Function Code 95.</p> <p><b>Mode 0:</b> the AeGIS 4000 will beep every second for 30 seconds and the system cannot be used for 60 seconds.</p> <p><b>Mode 1:</b> the AeGIS 4000 will call to a premise or remote location. If it calls to:</p> <ul style="list-style-type: none"> <li>• <b>A premise:</b> distinctive ringing will be heard for 30 seconds if the call is not answered. If the call is answered, a connection will be established with the AeGIS system, you may talk to the visitor and press “9” to open door or gate.</li> <li>• <b>A remote:</b> regular ring will be heard for 30 seconds if the call is not answered. If the call is answered, you will hear <b>beep ... beep ...</b> for 60 seconds. You may press “9” to open door or gate or press any other key to hang-up the call.</li> </ul>
<b>AUXILIARY INPUT PIN (AUI)</b>	<p>The AUI can be set into three different modes and <b>“Two Short Beeps”</b> will be heard if the AUI input is activated.</p> <p><b>Mode 0</b> is disabled.</p> <p><b>Mode 1</b> is to unlock door or gate if AUI pin is shorted to ground (GND). Door or gate will remain unlock according to door open interval programmed on function code 92. You may connect a Postal Lock or a momentary switch to the AUI input.</p> <p><b>Mode 2</b> is to unlock hold door or gate. You may connect a timer to the AUI input to unlock and lock door or gate according to the timer setting.</p>
<b>DO NOT DISTURB</b>	<p>The “Do not Disturb” feature is used to block any visitor call. The AeGIS system will not allow a visitor to press # to call out. Any other operation will still work. Refer to function code 97 to <b>Enable Do not Disturb mode.</b></p>
<b>HOW TO USE SPEED DIALING</b>	<p>You may use a <b>speed dialing</b> for frequently used function codes such as Unlock Door Cycle, Unlock Door Hold and Lock Door, etc. You must put PAUSE between the key presses.</p>

# CHAPTER 5. TROUBLE SHOOTING GUIDES

<b>AUDIO PROBLEMS</b>	
<b>NO TONE WHEN KEYS ARE PRESSED.</b>	<ul style="list-style-type: none"> <li>• In normal mode, No tone when the key is pressed unless if you are in programming mode.</li> <li>• Check the speaker and microphone connection on marked speaker and microphone (see fig.2.1). The snap on clip connector on the speaker and microphone connector must be facing inside the board.</li> <li>• Check the red and orange wires; make sure they are soldered into the speaker.</li> <li>• Turn the system OFF and disconnect the speaker connector from the board. Set your meter to Ohm and use 50 Ohm scale or higher. Put the two probes into the speaker (+) and (-) (polarity not important) and the meter should read about 24 Ohms.</li> <li>• Call Technical Support for help.</li> </ul>
<b>VISITOR CAN'T HEAR THE TENANT VOICE BUT TENANT CAN HEAR THE VISITOR.</b>	<ul style="list-style-type: none"> <li>• Check the speaker and microphone connection on terminal marked speaker and microphone (see fig.2.1). The snap on clip connector on the speaker and microphone connector must be facing inside the board.</li> <li>• Check the red and orange wires; make sure they are soldered into the speaker.</li> <li>• Turn the system OFF and disconnect the speaker connector from the board. Set your meter to Ohm and use 50 Ohm scale or higher. Put the two probes into the speaker (+) and (-) (polarity not important) and the meter should read about 24 Ohms.</li> <li>• Call Technical Support for help.</li> </ul>
<b>TENANT CAN'T HEAR THE VISITOR VOICE BUT VISITOR CAN HEAR THE TENANT VOICE. CAN'T CALL TO THE PREMISE</b>	<ul style="list-style-type: none"> <li>• Check the speaker and microphone connection on terminal marked speaker and microphone (see fig.2.1). The snap on clip connector on the speaker and microphone connector must be facing inside the board.</li> <li>• Check the brown and black wires; make sure they are soldered into the microphone.</li> <li>• Call Technical Support for help.</li> </ul>
<b>COMMUNICATION PROBLEMS</b>	
<b>LOCATION. CAN'T CALL TO THE REMOTE LOCATION.</b>	<ul style="list-style-type: none"> <li>• Check the power (12.8 VAC under load).</li> <li>• Disable the call-forwarding mode.</li> <li>• Erase the system to factory default.</li> <li>• Check the system wiring connections.</li> <li>• Check the keypad connector, make sure it plugs-in correctly on the board as shown on fig. 2.1.</li> </ul>
<b>CAN'T CALL TO THE REMOTE LOCATION.</b>	<ul style="list-style-type: none"> <li>• Check the power (12.8 VAC under load).</li> <li>• Enable the call-forwarding mode.</li> <li>• Check the call forwarding phone number programmed.</li> <li>• Make sure the phone line is not used.</li> <li>• Erase the system to factory default.</li> <li>• Check the system wiring connections.</li> <li>• Check the phone line with a telephone test set.</li> </ul>
<b>CAN'T CALL TO THE REMOTE LOCATION.</b>	<ul style="list-style-type: none"> <li>• Check the power (12.8 VAC under load).</li> <li>• Enable the call-forwarding mode.</li> <li>• Check the call forwarding phone number programmed.</li> <li>• Make sure the phone line is not used.</li> <li>• Erase the system to factory default.</li> <li>• Check the system wiring connections.</li> <li>• Check the phone line with a telephone test set.</li> </ul>
<b>HOME PHONE(S) RINGS ONCE AND THE SYSTEM DISCONNECTS.</b>	<ul style="list-style-type: none"> <li>• Erase the memory to factory default see Function Code 99 on Chapter 3.</li> <li>• Check the distance between the system and the home phone, make sure it does not exceed the specification specified on Chapter 2.</li> <li>• If this is a new installation, remove the connection with the home phone and substitute with a telephone test set.</li> <li>• If this is an existing installation Call Pach and Company Technical Support Department.</li> </ul>

<b>COMMUNICATION PROBLEMS</b>	
<b>THE SYSTEM DISCONNECTS WHEN THE TENANTS ANSWER THE CALL.</b>	<ul style="list-style-type: none"> <li>• Check the distance between the system and the home phone, make sure it does not exceed the specification specified on Chapter 2.</li> <li>• If this is a new installation, remove the connection with the home phone and substitute with a telephone test set.</li> <li>• If this is an existing system, call Pach and Company Technical Support Department.</li> </ul>
<b>HOME PHONE(S) HAS NO DIAL TONE.</b>	<ul style="list-style-type: none"> <li>• If this is a new installation, <ul style="list-style-type: none"> <li>• Check the wiring.</li> <li>• Remove the connection with the home phone and substitute with a telephone test set.</li> </ul> </li> <li>• If this is an existing system, call Pach and Company Technical Support Department.</li> </ul>
<b>RADIO STATION PROBLEM.</b>	<ul style="list-style-type: none"> <li>• Disconnect the phone line from the AeGIS system and connect a telephone test set the phone line and try to place a call.</li> <li>• Check the grounding on the AeGIS system and telephone line. The AeGIS cabinet must be grounded to an earth ground. The telephone line shield must be grounded at the telephone terminal block, not on the AeGIS cabinet.</li> <li>• Shielded wires must be used as part of the installation requirements.</li> <li>• Disconnect the ground wire (marked GND on the board at 5 pins terminal) from the board.</li> <li>• Install a Modular RFI Filter.</li> </ul>
<b>STATIC PROBLEM.</b>	<ul style="list-style-type: none"> <li>• Disconnect the phone line from the AeGIS system and connect a telephone test set the phone line and try to place a call.</li> <li>• Check the grounding on the AeGIS system and telephone line. The AeGIS cabinet must be grounded to an earth ground. The telephone line shield must be grounded at the telephone terminal block, not on the AeGIS cabinet.</li> <li>• Shielded wires must be used as part of the installation requirements.</li> <li>• Disconnect the ground wire (marked GND on the board at 5 pins terminal) from the board.</li> </ul>
<b>Sound keeps breaking out.</b>	<ul style="list-style-type: none"> <li>• Check for echo in the building.</li> <li>• If the AeGIS is installed in a noisy environment, you may experience with this problem.</li> <li>• Visitor and tenant can't talk simultaneously.</li> <li>• Try to speak a little further from the system.</li> </ul>
<b>GATE PROBLEMS</b>	
<b>NUMBER 9 DOES NOT OPEN THE DOOR OR GATE.</b>	<ul style="list-style-type: none"> <li>• Make sure there is power on the door or gate strike.</li> <li>• Check for loose connection on the door or gate strike wires on COM and NO (if you use "Normally Open") or COM and NC (if you use "Normally Close").</li> <li>• Short the two wires on COM and NO, the door or gate should open or remove the wire on COM door or gate should open. If door or gate does not open, you may have a problem with door or gate strike.</li> <li>• Test the relay and follow the steps below: <ol style="list-style-type: none"> <li>1. Set your multi-meter to Ohm (touch the two probes, the meter will read about 0 (zero value).</li> <li>2. Connect the probes to COM and NO (if "Normally Open" strike is used, the meter will read as an open circuit) or COM and NC (if "Normally Close" strike is used your meter will read about 0 value).</li> <li>3. Press * and a valid 4-digit access code <ul style="list-style-type: none"> <li>• Your meter should 0 (zero value) if COM and NO contacts are used; otherwise the system's relay is bad.</li> <li>• Your meter should read as an open-circuit if COM and NC contacts are used, otherwise the system's relay is bad.</li> </ul> </li> </ol> </li> </ul>
<b>NUMBER 9 DOES NOT OPEN THE DOOR OR GATE BUT THE</b>	<ul style="list-style-type: none"> <li>• Touch-tone phone must be used.</li> <li>• You must hear the DTMF tone when number 9 is pressed.</li> </ul>
<b>KEYPAD PROBLEMS</b>	
<b>4-DIGIT ACCESS CODE DOES.</b>	<ul style="list-style-type: none"> <li>• The red dots along the ribbon cable must be facing up.</li> <li>• Turn the power OFF and disconnect the keypad's ribbon cable from the board and reconnect it then turn the power ON.</li> </ul>

# CHAPTER 6. PARAMETERS WORKSHEET

You must keep accurate system's parameters and database records at all time for future reference.

## System Parameters Worksheet

Parameter	Function Code	Default Setting	Change to
Master Code	00	0000	
Talk Time	92	060 seconds	
Relay 1 (Door 1) Open Interval	51	12 seconds	
Relay 2 (Door 2) Open Interval	52	12 seconds	
Lock-out Count	93	3 tries	
AUI Mode	94	Mode 0 (disable)	
Alarm Mode	95	Mode 0 (local beep)	
System Answer Mode	96	Mode 0 (disable)	

## Personal Access Code

Index Number Relay 1 or Door 1	Access Code 4-digit	Index Number Relay 2 or Door 2	Access Code 4-digit	Index Number Relay 1 and 2	Access Code 4-digit
01		21		41	
02		22		42	
03		23		43	
04		24		44	
05		25		45	
06		26		46	
07		27		47	
08		28		48	
09		29		49	
10		30		50	
11		31			
12		32			
13		33			
14		34			
15		35			
16		36			
17		37			
18		38			
19		39			
20		40			

## Call Forwarding Phone Numbers

Function Code	Phone Number
70	
Function Code	Phone Number
71	
72	



# AEGIS 4000 QUICK REFERENCE GUIDE

## LOG INTO THE PROGRAMMING

- STEP 1** Press the 0 and # simultaneously, then release both keys.  
**STEP 2** Enter the 4-digit Master Code, you will hear **"ONE SHORT BEEP"**.  
**STEP 3** Select the fuction code from the table below.

### FUNCTION CODES TABLE

CODE	DESCRIPTION	CODE	DESCRIPTION
*	Exit Programming Mode or hang-up	76	Delete all call forwarding on 70, 71 and 72
#	To accept program	87	Disable or Enable automatic call forwrding. 0= disabled 1= enabled
* and #	To reset the master code to factory default (0000).	88	Select automatic call forwarding function number 71 or 72.
00	Change unit master code	89	Select automatic call forwarding time or hang-up time (15-90 seconds)
01-20	Individual access code to access relay 1 (door 1)	90	Manual unlock or lock relay 1 (door 1) 1= to unlock 0= to lock
21-40	Individual access code to access relay 2 (door 2)	91	Manual unlock or lock relay 2 (door 2) 0= to lock 1= to unlock
41-50	Individual access code to access relay 1 and 2 (door 1 and door 2)	92	Talk time (10-90 seconds)
51	Relay 1 (door 1) Open Interval	93	Lock-out count (03-09)
52	Relay 2 (door 2) Open Interval	94	Auxiliary Mode 0= disabled 1= enabled control by door open interval 2= enable control by Auxin
60	Delete individual access code index 01-20	95	Alarm mode 0= local alarm 1= remote alarm
61	Delete individual access code index 21-40	96	System answer mode (0= disabled, 1,2,3,...9 = enable 1st, 2nd, 3rd,...., 9th rings)
60	Delete individual access code index 41-50	97	Do not disturb mode (0= disabled 1= enabled)
65	Delete all access codes index 01-50	98	Select initiating premise call key 0= # 1= *
70	Direct call forwarding	99	Set memory to factory default.
71-72	Automatic or manual call forwarding		

### PARAMETER DEFAULT SETTINGS TABLE

00 (Master Code) = 0000	94 (Auxiliary mode) = 0 (disabled)	Alarm beep (system,s speaker) = 30 seconds
51 (Door 1 open interval) = 12 seconds	95 (Alarm mode) = 10 seconds (local) 30 seconds (remote)	Alarm call (premise) = 10 seconds
52 (Door 2 open interval) = 12 seconds		Alarm call (remote) = 60 seconds
87 (Automatic call forwarding) = disabled	96 System answer mode = 0 (disabled)	Unit blockout time = 60 seconds
89 (Automatic call forwarding time) = 15 sec.	97 Do not disturb mode = 0 (disabled)	Call waiting beeps = 3 times
92 (Talk time) = 60 seconds	98 Initiating premise call = ##	<b>See Owners manual for more detail</b>
93 (Lock-out count) = 3 tries	Visitor call (local) = 30 seconds ring	

### SYSTEM OPERATIONS

1. **To place a call from the AeGIS 4000:** Press #.
2. **To grant access to a visitor:** Press 9 (door 1) or Press 8 (door 2).
3. **To use a personal access code:** Press \* then release, and press 4-digit access code.
4. **To extend a talk time:** tenant mus press # after hearing the time-out warning beep.
5. **To enable call forwarding:**  
Local press 0 and \* simultaneously then release then select 1(call forwarding on 71) or 2 (call forwarding on 72) then press #.  
Premise phone lift the handset wait for dial tone then press ## then select 1(call forwarding on 71) or 2 (call forwarding on 72) then press #.  
Remote phone lift the handset wait for dial tone then press # and 4-digit master code then select 1(call forwarding on 71) or 2 (call forwarding on 72) then press #

6. To unlock cycle, unlock hold and lock door 1 and door 2:		
LOCAL	PREMISE PHONE	REMOTE PHONE
<ul style="list-style-type: none"> <li>• Press 0 and * simultaneously then release</li> <li>• Enter the 4-digit master code</li> <li>• <b>To unlock, press</b> 90 (door 1) or 91 (door 2), then # you will hear <b>"one short beep"</b></li> <li>• Press 1 = unlock or 0 = lock, then press #.</li> </ul>	<ul style="list-style-type: none"> <li>• Press ##, you will hear <b>"One short beep"</b>.</li> <li>• Press <b>For Door 1</b> 9 to unlock cycle 8 to unlock hold 7 to lock</li> <li>• <b>For Door 2</b> 5 to unlock cycle 4 to unlock hold 3 to lock</li> </ul>	<ul style="list-style-type: none"> <li>• Call the system, you will hear <b>"One short beep"</b>.</li> <li>• Press # then the 4-digit master code.</li> <li>• Press <b>For Door 1</b> 9 to unlock cycle 8 to unlock hold 7 to lock</li> <li>• <b>For Door 2</b> 5 to unlock cycle 4 to unlock hold 3 to lock</li> </ul>